



PARTS LIST FOR
WLP-08-0M10
WATER RECYCLING TREATMENT SYSTEM

Congratulations on the purchase of your new Mi-T-M water recycling treatment system! This parts listing has been compiled for your benefit. You can be assured your Mi-T-M water recycling treatment system was constructed and designed with quality and performance in mind. Each component has been rigorously tested to insure the highest level of acceptance.

The contents of this parts listing are based on the latest product information available at the time of publication. Mi-T-M reserves the right to make changes in price, color, materials, equipment, specifications or models at any time without notice.

WARNING

THIS IS A PROFESSIONAL WATER RECYCLING TREATMENT SYSTEM. CAUTION SHOULD BE OBSERVED WHEN USING OR REPAIRING THIS UNIT! READ AND FOLLOW THE SAFETY WARNINGS LISTED BELOW AND IN THE OPERATOR'S MANUAL BEFORE ATTEMPTING ANY REPAIRS ON THIS WATER RECYCLING TREATMENT SYSTEM!

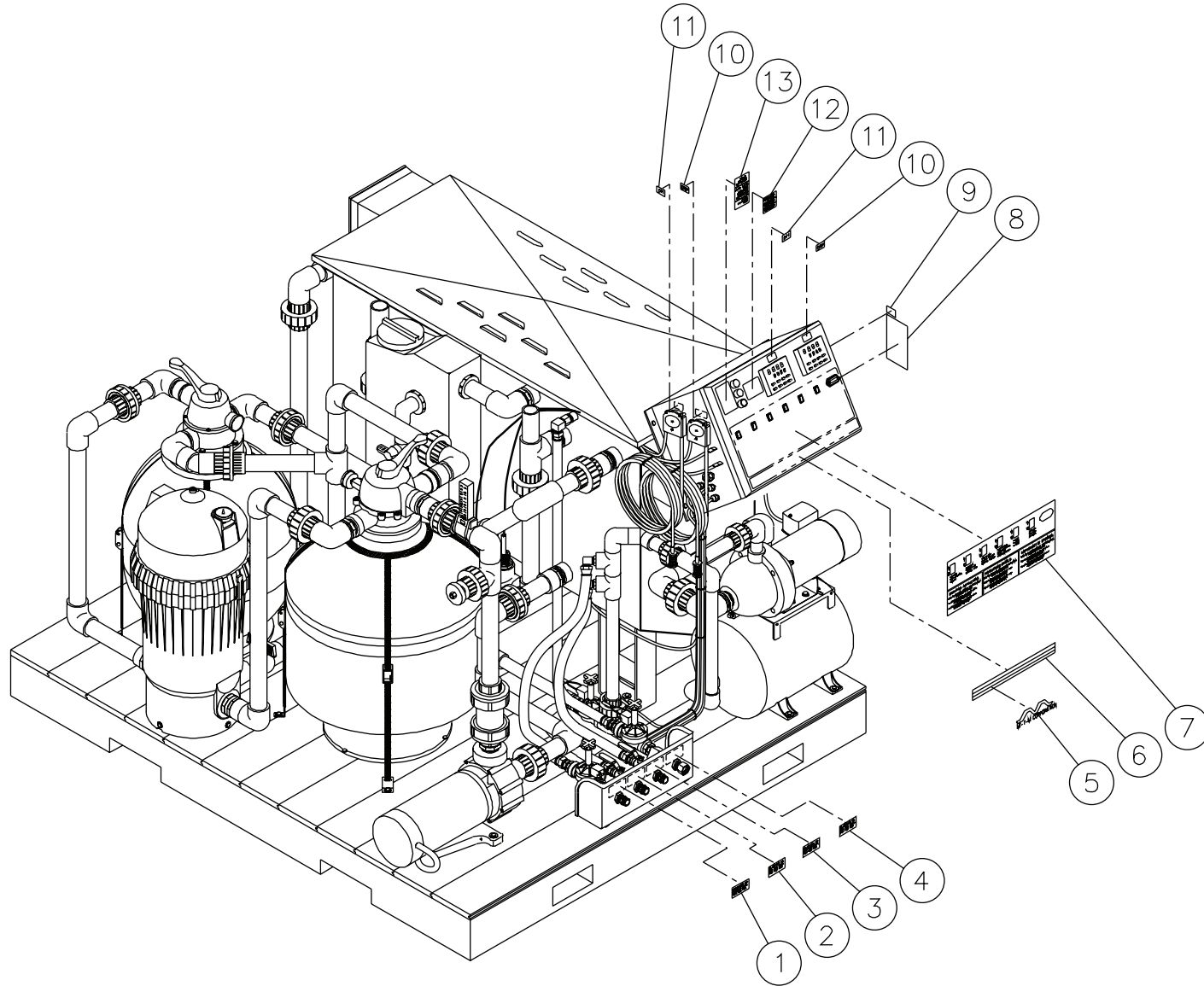
SAFETY WARNINGS

1. Serious injury or death could occur if the water recycling treatment system is not properly grounded. Your water recycling treatment system is powered by electricity and may cause electric shock or electrocution if not installed properly. Installation of this unit, including all electrical connections, must comply with all local, state and national codes. Any electrical wiring or repairs performed on this water recycling treatment system should be done by Authorized Service Personnel in accordance with National and Local electrical codes.
2. NEVER alter or modify the equipment. Use only genuine Mi-T-M parts for repair of your water recycling treatment system. Failure to do so can cause hazardous operating conditions and will VOID warranty.
3. Know how to stop and bleed pressures quickly. Be thoroughly familiar with controls. Do not operate without protective covers/ guards. Follow the maintenance instructions specified in your operator's manual.
4. Before servicing, ALWAYS shut off the water and the unit. Allow the unit to cool down and drain the water. NEVER assume the water recycling treatment system is safe to work on just because it is not operating. It could restart at any time! ALWAYS disconnect from the power source. Service in a clean, dry, flat area.
5. Be especially careful to properly dispose of any flammable materials. Consult Materials Safety Data Sheets for safe handling of chemicals used with your system, especially oxidizers and acids.

Contents

DECAL PLACEMENT- FRONT VIEW	4
DECAL PLACEMENT- BACK VIEW	6
MAIN ASSEMBLY	8
TANK ASSEMBLY- FRONT VIEW	10
TANK ASSEMBLY- BACK VIEW	12
PLUMBING: MULTI-MEDIA ASSEMBLY	14
MULTI-MEDIA FILTER (19-0503)	16
POLISHING FILTER DIAL VALVE (55-0013)	17
CARTRIDGE FILTER/PLUMBING ASSEMBLY	18
CARTRIDGE FILTER (19-0603)	20
PLUMBING: POLISHING FILTER	22
POLISHING FILTER (19-0501)	23
POLISHING FILTER DIAL VALVE (55-0013)	24
SUMP PUMP (3-0180)	26
FILTER PUMP ASSEMBLY	28
FILTER PUMP (3-0179)	30
TRANSFER PUMP/TANK ASSEMBLY	32
TRANSFER PUMP (3-0186)	34
PH/ORP PUMP (3-0182)	36
MANIFOLD ASSEMBLY	38
PLUMBING: PH/ORP ASSEMBLY	40
PH/ORP PROBE INSTALLATION	41
PLUMBING: DRAIN ASSEMBLY AND TRANSFER PUMP TO DRAIN	42
PLUMBING ASSEMBLIES	44
OIL DECANter ASSEMBLY	46
OZONE GENERATOR (32-0566)	47
CONTROL PANEL- LID	48
CONTROL PANEL- BASE	50
ELECTRICAL SCHEMATIC- 230 VOLT	52
ELECTRICAL SCHEMATIC- 24 VOLT	53
ELECTRICAL DIAGRAM- LID	54
ELECTRICAL DIAGRAM- PLATE	55
ELECTRICAL DIAGRAM- BASE	56
PLUMBING/FLOW DIAGRAM	57
NOTES	58

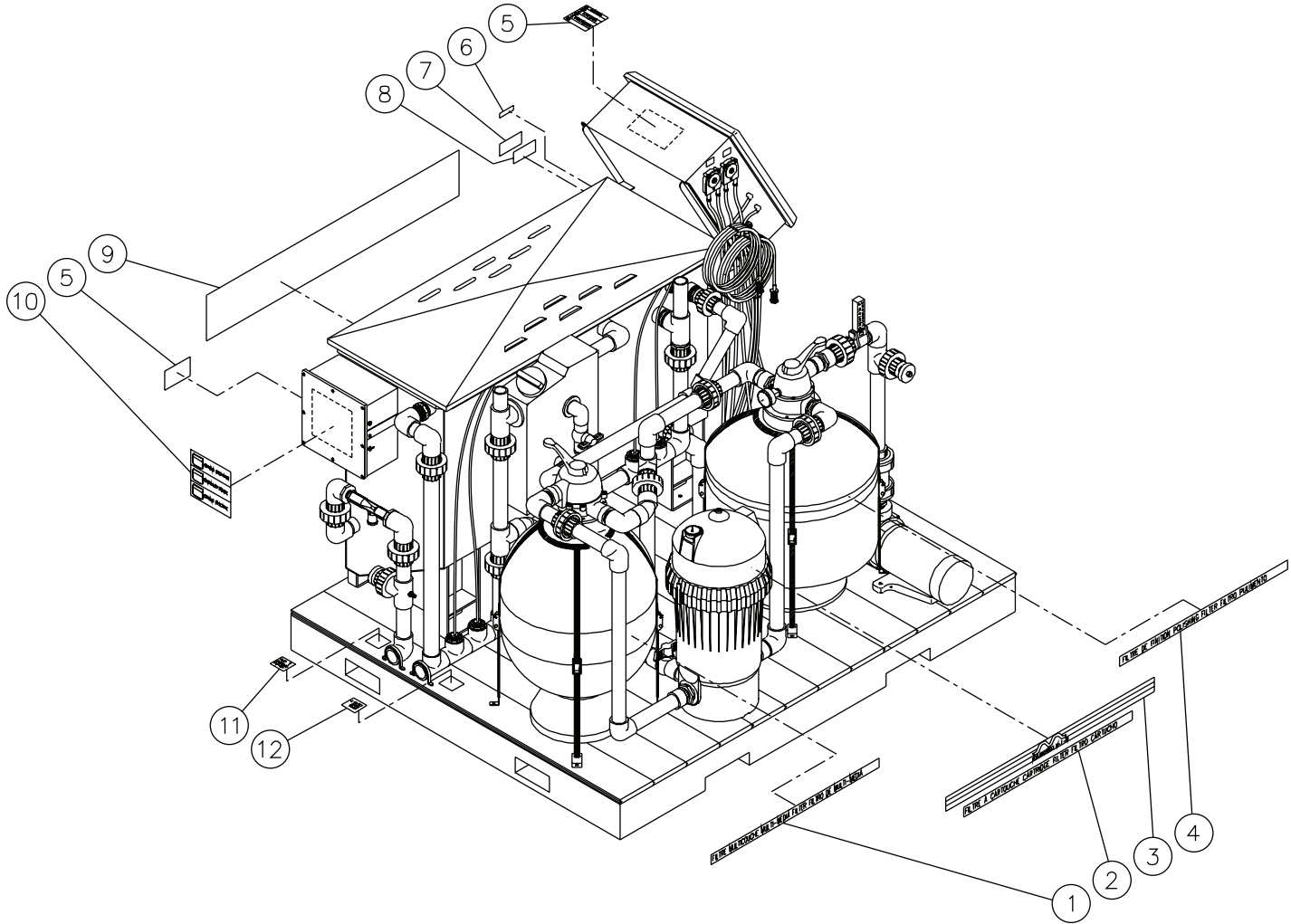
DECAL PLACEMENT- FRONT VIEW



WLP-0056-032499-JTR

DECAL PLACEMENT- FRONT VIEW			
REF. #	DESCRIPTION	PART#	QTY.
1	Decal- Rain Water Overflow	34-0878	1
2	Decal- Rinse Water Outlet	34-0876	1
3	Decal- Pressure Washer Outlet	34-0877	1
4	Decal- Fresh Water Inlet	34-0879	1
5	Mi-T-M Plastic Logo	62-0087	1
6	Decal- Large Beltguard Stripe	34-0501	1
7	Decal- Control Panel	34-0890	1
8	Decal- Warning: Risk of Electrocution	34-0884	1
9	Decal- Flag	34-0536	1
10	Decal- ORP	34-0872	2
11	Decal- pH	34-0871	2
12	Decal- Backwash Instructions	34-0881	1
13	Decal- Backwash Controls	34-0880	1

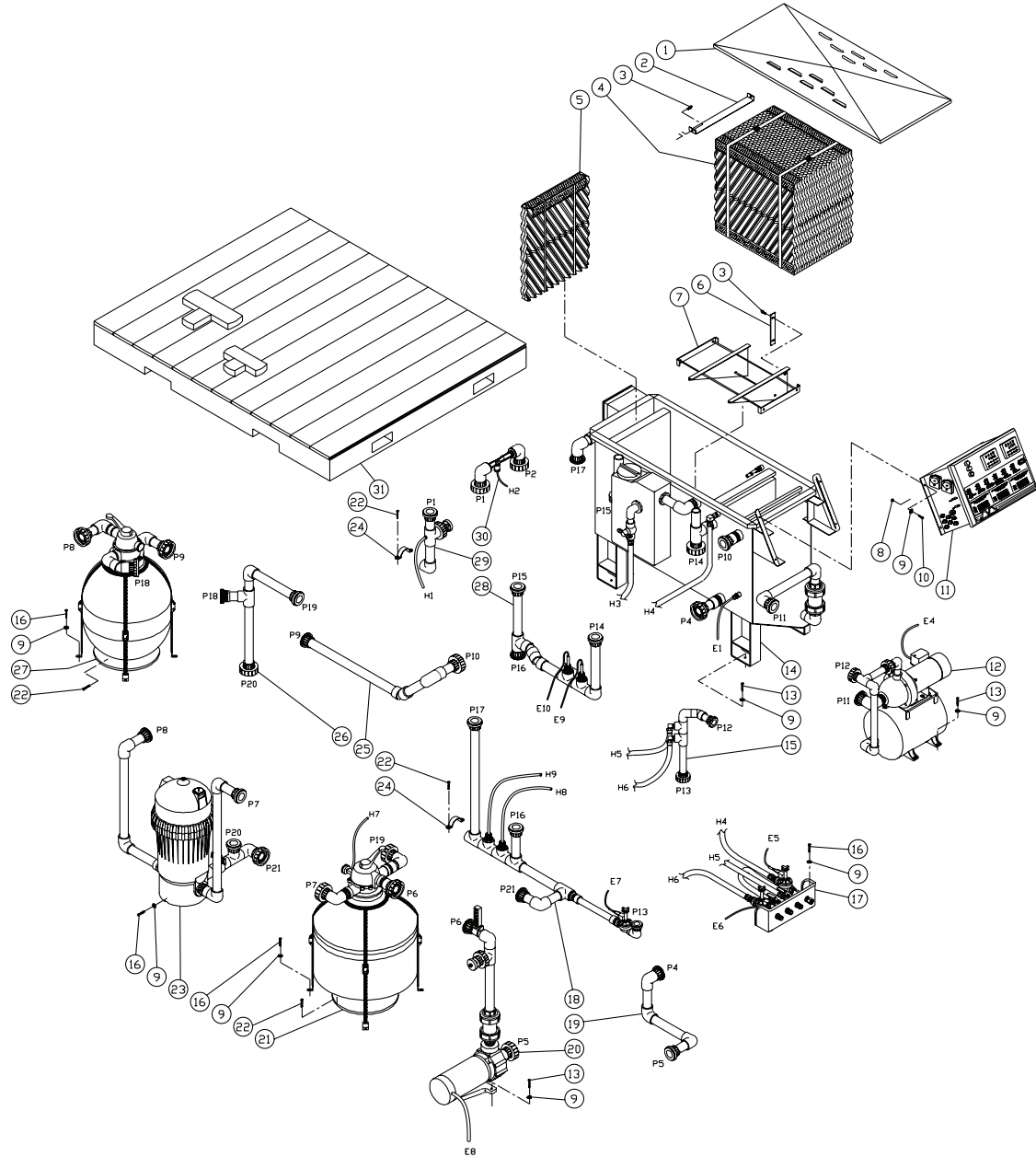
DECAL PLACEMENT- BACK VIEW



WLP-0088-032499-JTR

DECAL PLACEMENT- BACK VIEW			
REF. #	DESCRIPTION	PART#	QTY.
1	Decal- Polishing Filter	34-0875	1
2	Decal- Cartridge Filter	34-0873	1
3	Decal- Stripe w/ Logo	34-0725	1
4	Decal- Multi-Media Filter	34-0874	1
5	Decal- Caution: Non-Potable Water	34-0868	2
6	Decal- Serial Number	N/A	1
7	Decal- Clear Laminate	N/A	1
8	Decal- Mi-T-M Specs	N/A	1
9	Decal- Logo Stripe	34-0347	1
10	Decal- Ozone Generator	34-0915	1
11	Decal- Inlet	34-0892	1
12	Decal- Outlet	34-0891	1

MAIN ASSEMBLY

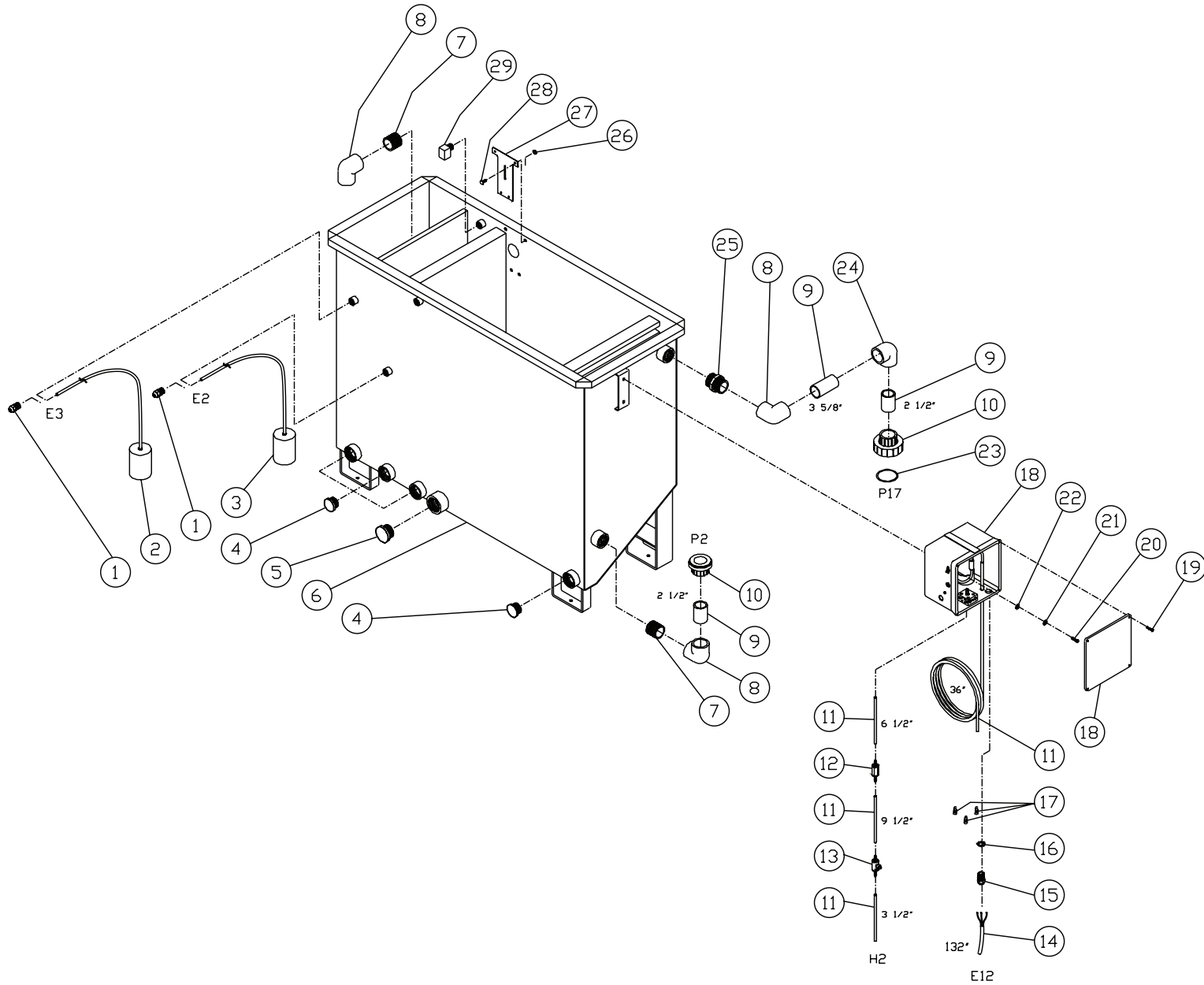


WLP-08-0M10-030999-
JTR

MAIN ASSEMBLY							
REF. #	DESCRIPTION	PART#	QTY.	REF. #	DESCRIPTION	PART#	QTY.
1	Tank Lid	56-0037	1	17	Manifold Assembly (See pg. 38)	N/A Sep.	15
2	Hold Down Strap	21-0109	1	18	Plumbing: Drain Line (See pg. 42)	N/A Sep.	1
3	Thumb Screw	27-6200	6	19	Plumbing: Filter Pump to Tank (See pg. 28)	N/A Sep.	1
4	Coalescing Pack Assembly	855-0003	1	20	Plumbing: Filter Pump Assembly (See pg. 28)	N/A Sep.	1
5	Coalescing Pack- Vertical	855-0002	1	21	Plumbing: Multi-Media Filter Assembly (See pg. 14)	N/A Sep.	1
6	Baffle Plate	21-0121	2	22	Tapping Screw	27-5278	11
7	Baffle Assembly	21-0117	1	23	Plumbing: Cartridge Filter Assembly (See pg. 18)	N/A Sep.	1
8	Locknut	30-5202	4	24	Pipe Clamp	42-0025	2
9	Washer	28-0121	22	25	Plumbing: Polishing Filter to Tank (See pg. 44)	N/A Sep.	1
10	Bolt	27-5016	4	26	Plumbing: Polishing/Multi Media Filters to Drain (See pg. 44)	N/A Sep.	1
11	Control Panel (See pg. 48-51)	N/A Sep.	1	27	Plumbing: Polishing Filter Assembly (See pg. 22)	N/A Sep.	1
12	Transfer Pump/Tank Assembly (See pg. 32)	N/A Sep.	1	28	Plumbing: Separator Tank to Drain (See pg. 40)	N/A Sep.	1
13	Lag Bolt	27-5276	11	29	Plumbing: Inlet (See pg. 44)	N/A Sep.	1
14	Oil/Water/Separator Tank Assembly (See pg. 10-13)	N/A Sep.	1	30	Plumbing: Injector Assembly (See pg.44)	N/A Sep.	1
15	Plumbing: Transfer Pump to Drain (See pg. 42)	N/A Sep.	1	31	Plastic Pallet	35-0035	1
16	Lag Bolt	27-5277	15				

TANK ASSEMBLY- FRONT VIEW								
REF. #	DESCRIPTION	PART#	QTY.		REF. #	DESCRIPTION	PART#	QTY.
1	Oil/Water/Separator Tank	12-0080	1		20	Nipple	55-1874	1
2	Washer	28-0122	12		21	Hose *(Eleven Feet Required)	15-0033	1
3	Lockwasher	29-1007	12		22	Hose Barb	23-0358	1
4	Bolt	27-5066	4		23	Elbow	23-0363	1
5	Decal- Black and Yellow Arrow	34-0883	1		24	Connector	23-0072	1
6	Bracket- Right	21-0110	1		25	Bolt	27-9032	4
7	Bracket- Left	21-0111	1		26	Bracket	21-0108	1
8	Pipe *(Varied Feet Required)	55-1600	1		27	Nipple	23-0362	1
9	Elbow	55-1609	4		28	Reducer	23-0364	1
10	Union (Includes O-ring 25-0448)	55-1645	5		29	Ball Valve	55-1255	1
11	Check Valve	55-1652	1		30	Pipe *(Varied Feet Required)	55-1200	1
12	Nipple	55-1674	1		31	Elbow	55-1209	1
13	Float Switch	32-0527	1		32	Tee	55-1601	1
14	Strain Relief	32-0437	2		33	Tank	12-0077	1
15	Adapter	55-1622	2		33	Nipple	55-1677	1
16	O-ring	25-0448	3		35	Level Switch	32-0533	1
17	Reducer	55-1823	1		36	Connector	32-0122	2
18	Tee	55-1801	1		37	Cord *(Three Feet Required)	32-0075	1
19	Pipe *(Varied Feet Required)	55-1800	1		*Must Order in One Foot Lengths			

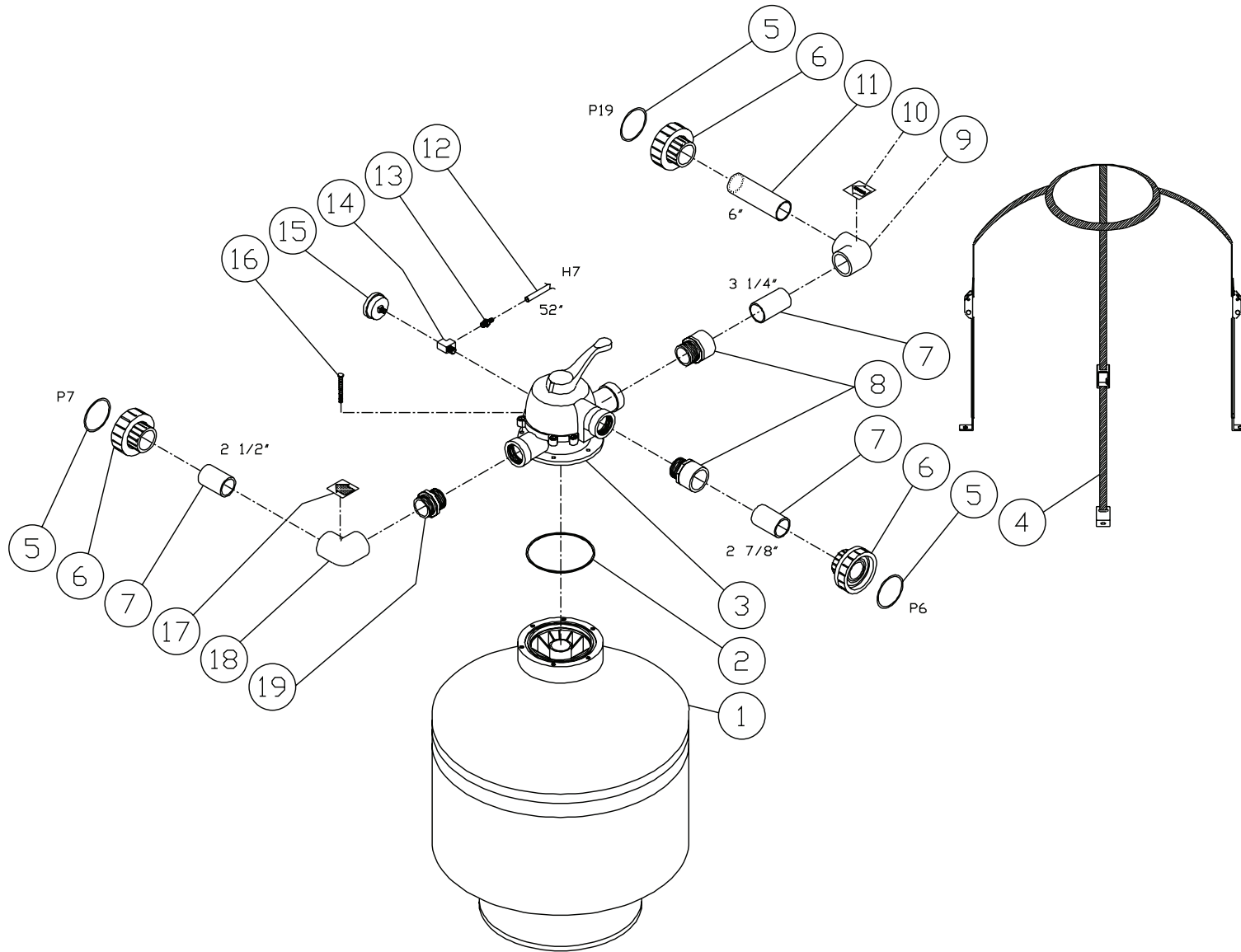
TANK ASSEMBLY- BACK VIEW



WLP-0030-031099-JTR

TANK ASSEMBLY- BACK VIEW							
REF. #	DESCRIPTION	PART#	QTY.	REF. #	DESCRIPTION	PART#	QTY.
1	Strain Relief	32-0437	2	16	Locknut	32-0108	1
2	Float Switch- Blue	32-0527	1	17	Wire Splice	32-0359	3
3	Float Switch- Red	32-0529	1	18	Ozone Generator	32-0566	1
4	Plug	55-1240	4	19	Bolt	N/A	1
5	Plug	55-1840	4	20	Bolt	27-5066	2
6	Coalescing Tank	12-9080	1	21	Lockwasher	29-1007	2
7	Nipple	55-1674	2	22	Washer	28-0122	2
8	Elbow	55-1610	3	23	O-ring	25-0448	1
9	Pipe *(Varied Feet Required)	55-1600	1	24	Elbow	55-1609	1
10	Union (Includes O-ring 25-0448)	55-1645	2	25	Nipple	55-1677	1
11	Hose *(Five Feet Required)	15-0021	1	26	Nut	30-5202	4
12	Check Valve	22-0286	1	27	Oil Plate	21-0107	1
13	Ball Valve	22-0074	1	28	Bolt	32-5027	4
14	Cord *(Eleven Feet Required)	32-0074	1	29	Adapter	23-0035	1
15	Strain Relief	32-0437	1	*Must Order in One Foot Lengths			

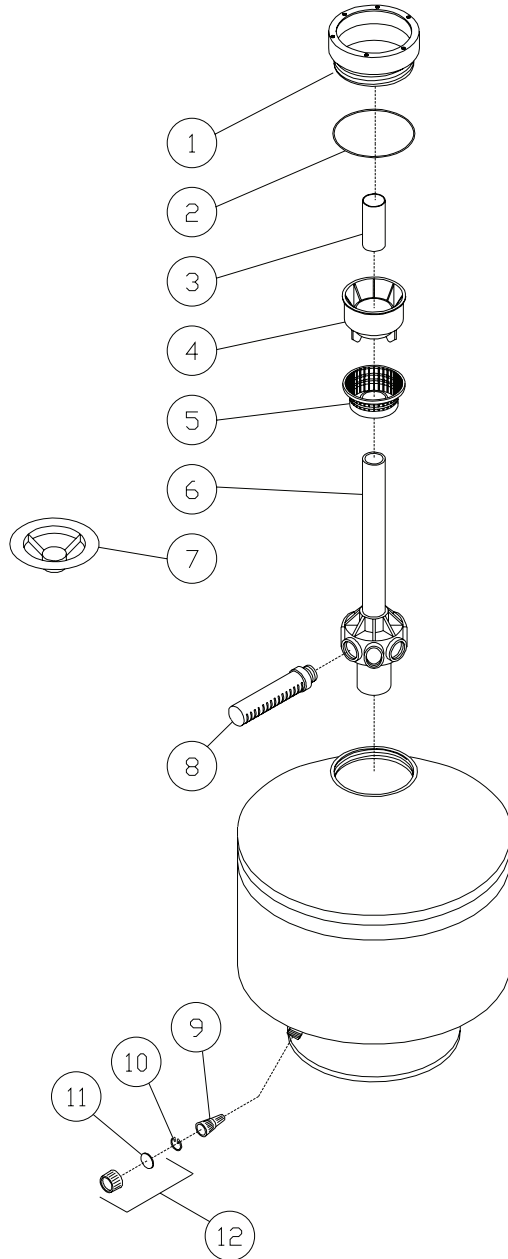
PLUMBING: MULTI-MEDIA ASSEMBLY



WLP-0024-020999-JTR

PLUMBING: MULTI- MEDIA ASSEMBLY							
REF. #	DESCRIPTION	PART#	QTY.	REF. #	DESCRIPTION	PART#	QTY.
1	Multi-Media Filter	19-0503	1	11	Pipe *(Varied Feet Required)	55-1685	1
2	O-ring	25-0441	1	12	Hose *(Five Feet Required)	15-0021	1
3	Valve	55-0013	1	13	Hose Barb	23-0051	1
4	Strap Assembly	33-0316	1	14	Tee	23-0127	1
5	O-ring	25-0448	3	15	Pressure Gauge	22-0284	1
6	Union (Includes O-ring 25-0448)	55-1645	3	16	Bolt	27-0067	6
7	Pipe *(Varied Feet Required)	55-1600	1	17	Decal- Black and Yellow Arrow	34-0883	1
8	Adapter	55-1622	2	18	Elbow	55-1610	1
9	Elbow	55-1609	1	19	Nipple	55-1677	1
10	Decal- Backwash Arrow	34-0882	1	*Must Order in One Foot Lengths			

MULTI-MEDIA FILTER (19-0503)



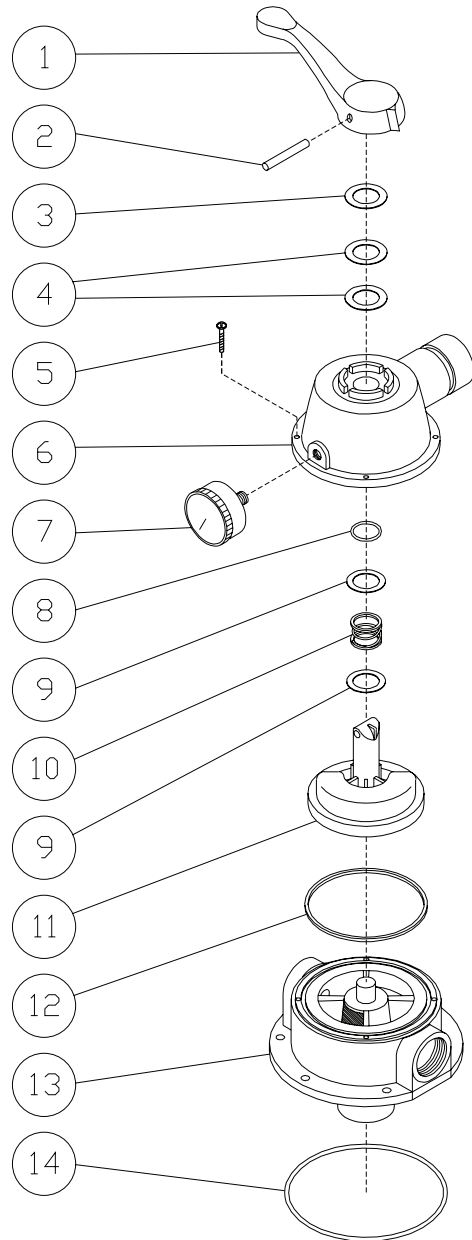
19-0503-021799-JTR

FILTER (19-0503)			
REF. #	DESCRIPTION	PART#	QTY.
1	Tank Adapter	19-0518	1
2	O-ring	25-0441	1
3	Pipe	55-0029	1
4	Diverter	19-0511	1
5	Filter Basket	19-0513	1
6	Standpipe Assembly	55-0039	1
7	Fill Spout	19-0512	1
8	Lateral (Eight per package)	55-0041	1
9	Drain Nozzle	18-0335	1
10	Drain Nozzle Retainer	42-0029	1
11	Drain Nozzle Gasket	26-0212	1
12	Drain Cap (Includes Gasket 26-0212)	39-0108	1

19-0503-021799-JTR

POLISHING FILTER DIAL VALVE (55-0013)

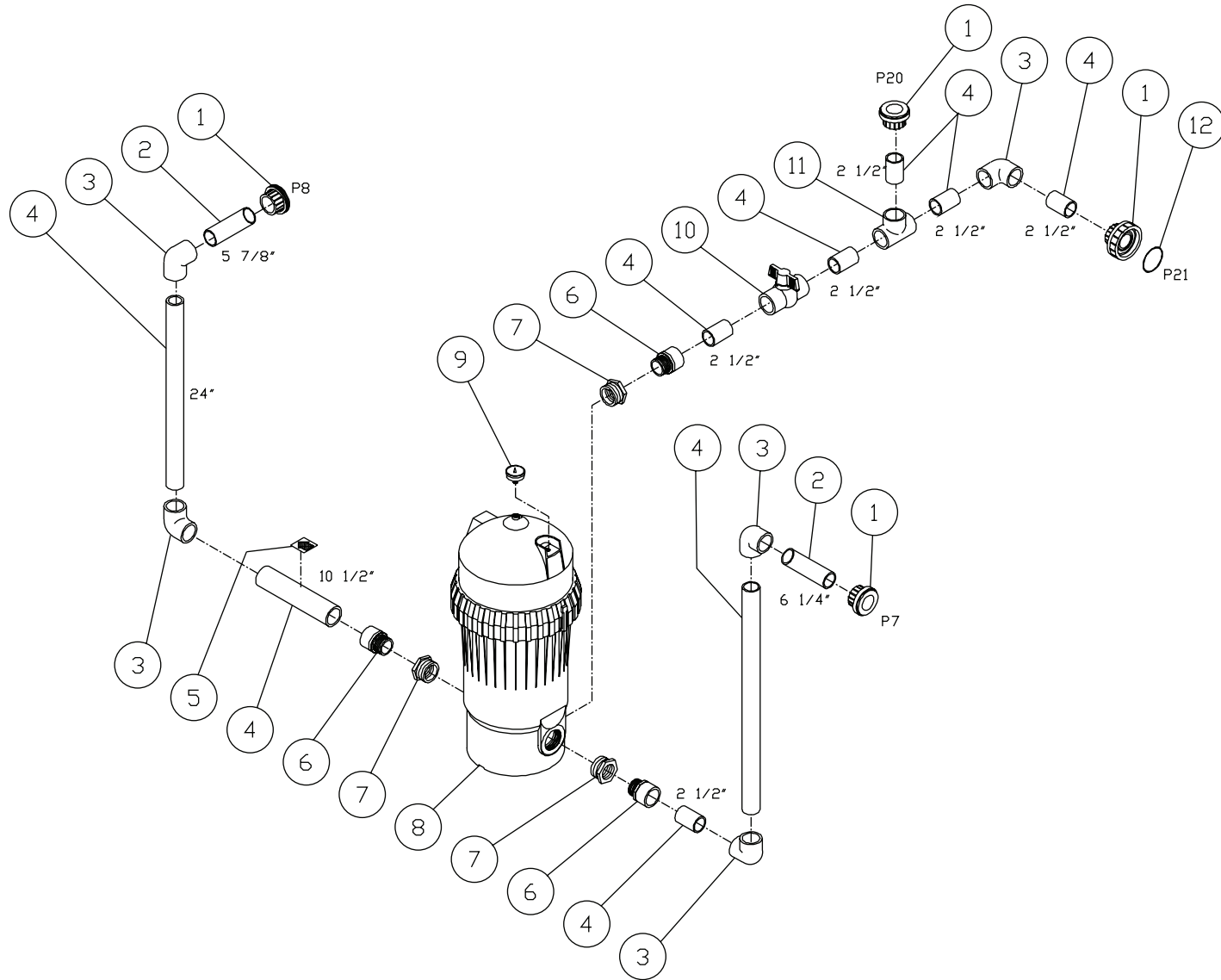
55-0013-020299-JJ



POLISHING FILTER DIAL VALVE (55-0013)			
REF. #	DESCRIPTION	PART#	QTY.
1	Handle (See 70-0246)	N/A Sep.	1
2	Pin (See 70-0246)	N/A Sep.	1
3	Washer (See 70-0246)	N/A Sep.	1
4	Shim (See 70-0246)	N/A Sep.	2
5	Screw	27-8936	4
6	Tank Cover	55-0051	1
7	Pressure Gauge	22-0284	1
8	O-ring (See 70-0250)	N/A Sep.	1
9	Washer (See 70-0250)	N/A Sep.	2
10	Spring (See 70-0250)	N/A Sep.	1
11	Diverter (See 70-0250)	N/A Sep.	1
12	Square Ring (See 70-0250)	N/A Sep.	1
13	Body	55-0052	1
14	Gasket	25-0441	1
	Handle Kit (Includes 1-4)	70-0246	1
	Diverter Kit (Includes 5, 8-12)	70-0250	1
	Cover Kit (Includes 1-6, 8-12)	70-0251	1

55-0013-020299-JJ

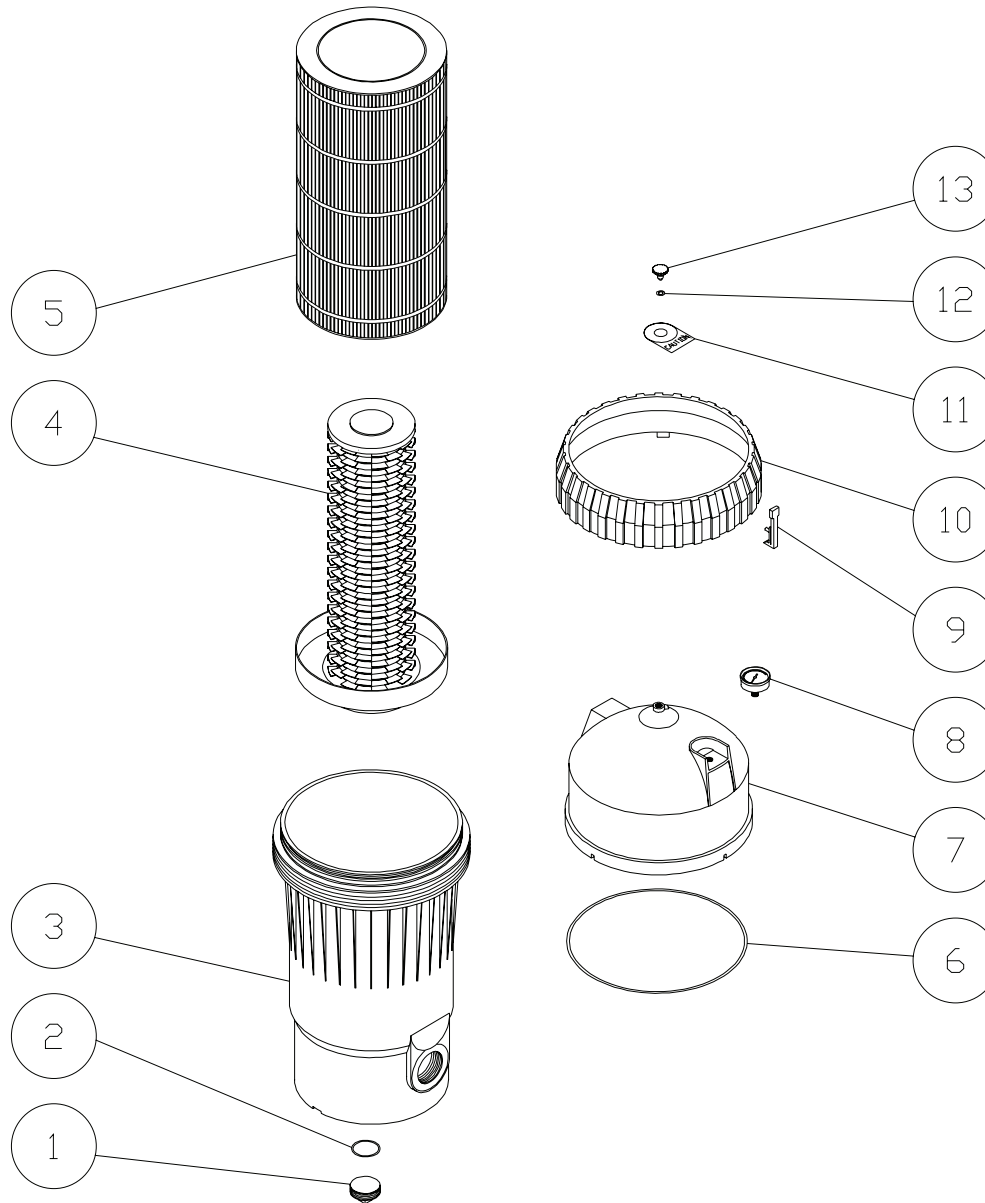
CARTRIDGE FILTER/PLUMBING ASSEMBLY



WLP-0025-020999-JTR

CARTRIDGE FILTER/PLUMBING ASSEMBLY			
REF. #	DESCRIPTION	PART#	QTY.
1	Union (Includes O-ring 25-0448)	55-1645	4
2	Pipe *(Varied Feet Required)	55-1685	1
3	Elbow	55-1609	5
4	Pipe *(Varied Feet Required)	55-1600	1
5	Decal- Black and Yellow Arrow	34-0883	1
6	Adapter	55-1622	3
7	Reducer Bushing	55-1833	3
8	Cartridge Filter	19-0603	1
9	Pressure Gauge	22-0284	1
10	Ball Valve	55-1655	1
11	Tee	55-1601	1
12	O-ring	25-0448	1
*Must Order in One Foot Lengths			

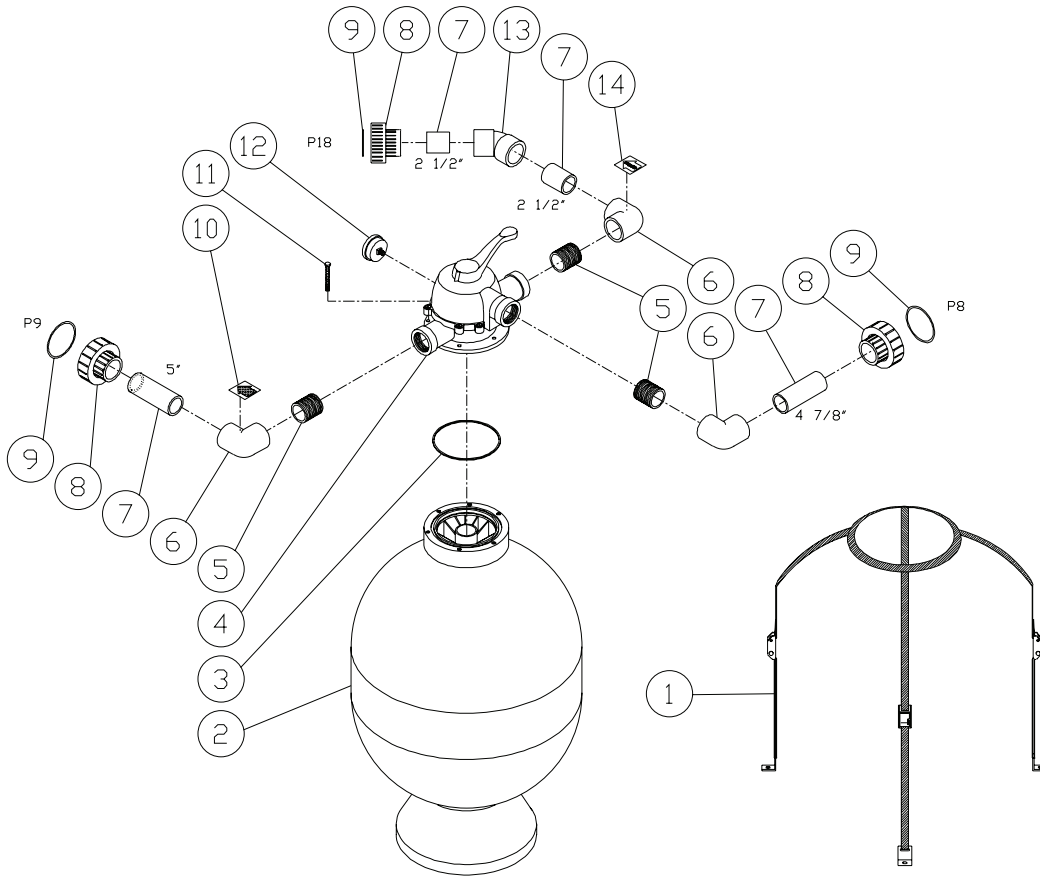
CARTRIDGE FILTER (19-0603)



19-0603-022500-JTR

CARTRIDGE FILTER (19-0603)			
REF. #	DESCRIPTION	PART#	QTY.
1	Drain Plug	39-0113	1
2	Gasket (Includes Ref. 1)	25-0462	1
3	Filter Body	19-0612	1
4	Dirt Collector	19-0613	1
5	Filter Element	19-0109	1
6	O-ring	25-0444	1
7	Cover	19-0614	1
8	Pressure Gauge	22-0284	1
9	Cover Latch	19-0615	1
10	Locking Nut	19-0616	1
11	Hang Tag- Warning: Bleed Air	N/A	1
12	O-ring	25-0036	1
13	Knob (Includes O-ring 25-0036)	39-0114	1

PLUMBING: POLISHING FILTER

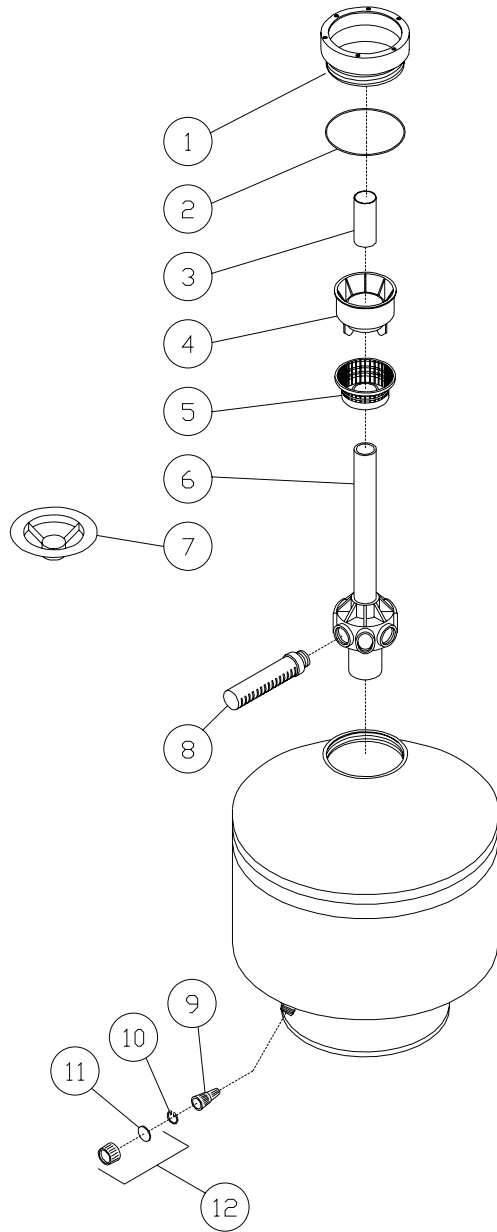


WLP-0026-031099-JTR

PLUMBING: POLISHING FILTER			
REF. #	DESCRIPTION	PART#	QTY.
1	Strap Assembly	33-0316	1
2	Multi-Media Filter	19-0501	1
3	O-ring	25-0441	1
4	Valve	55-0013	1
5	Nipple	55-1677	3
6	Elbow	55-1610	3
7	Pipe *(Varied Feet Required)	55-1685	1
8	Union (Includes O-ring 25-0448)	55-1645	3
9	O-ring	25-0448	3
10	Decal- Black and Yellow Arrow	34-0883	1
11	Bolt	27-0067	6
12	Pressure Gauge	22-0284	1
13	Elbow	55-1612	1
14	Decal- Backwash Arrow	34-0882	1
*Must Order in One Foot Lengths			

WLP-0026-031099-JTR

POLISHING FILTER (19-0501)

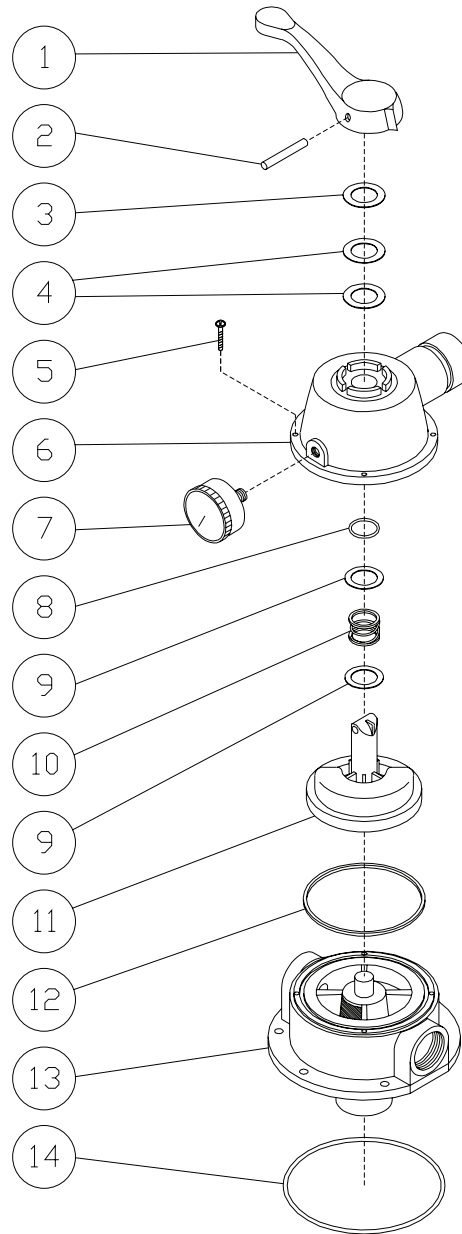


19-0501-021799-JTR

POLISHING FILTER (19-0501)			
REF. #	DESCRIPTION	PART#	QTY.
1	Tank Adapter	19-0518	1
2	O-ring	25-0441	1
3	Pipe	55-0029	1
4	Diverter	19-0511	1
5	Filter Basket	19-0513	1
6	Standpipe Assembly	55-0037	1
7	Fill Spout	19-0512	1
8	Lateral (Eight per package)	55-0040	1
9	Drain Nozzle	18-0335	1
10	Drain Nozzle Retainer	42-0029	1
11	Drain Nozzle Gasket	26-0212	1
12	Drain Cap (Includes Gasket 26-0212)	39-0108	1

19-0501-021799-JTR

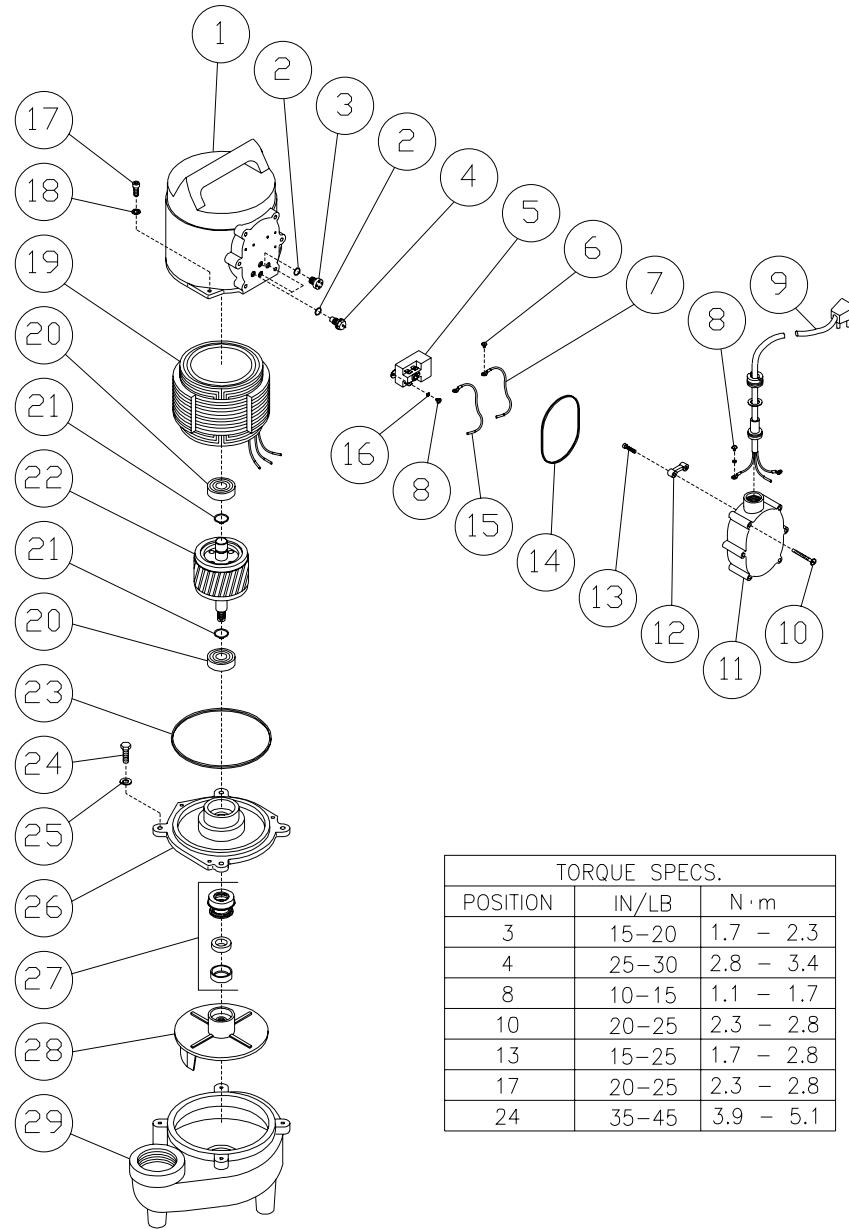
POLISHING FILTER DIAL VALVE (55-0013)



55-0013-020299-JJ

POLISHING FILTER DIAL VALVE (55-0013)			
REF. #	DESCRIPTION	PART#	QTY.
1	Handle (See 70-0246)	N/A Sep.	1
2	Pin (See 70-0246)	N/A Sep.	1
3	Washer (See 70-0246)	N/A Sep.	1
4	Shim (See 70-0246)	N/A Sep.	2
5	Screw	27-8936	4
6	Tank Cover	55-0051	1
7	Pressure Gauge	22-0284	1
8	O-ring (See 70-0250)	N/A Sep.	1
9	Washer (See 70-0250)	N/A Sep.	2
10	Spring (See 70-0250)	N/A Sep.	1
11	Diverter (See 70-0250)	N/A Sep.	1
12	Square Ring (See 70-0250)	N/A Sep.	1
13	Body	55-0052	1
14	Gasket	25-0441	1
	Handle Kit (Includes 1-4)	70-0246	1
	Diverter Kit (Includes 5, 8-12)	70-0250	1
	Cover Kit (Includes 1-6, 8-12)	70-0251	1

SUMP PUMP (3-0180)

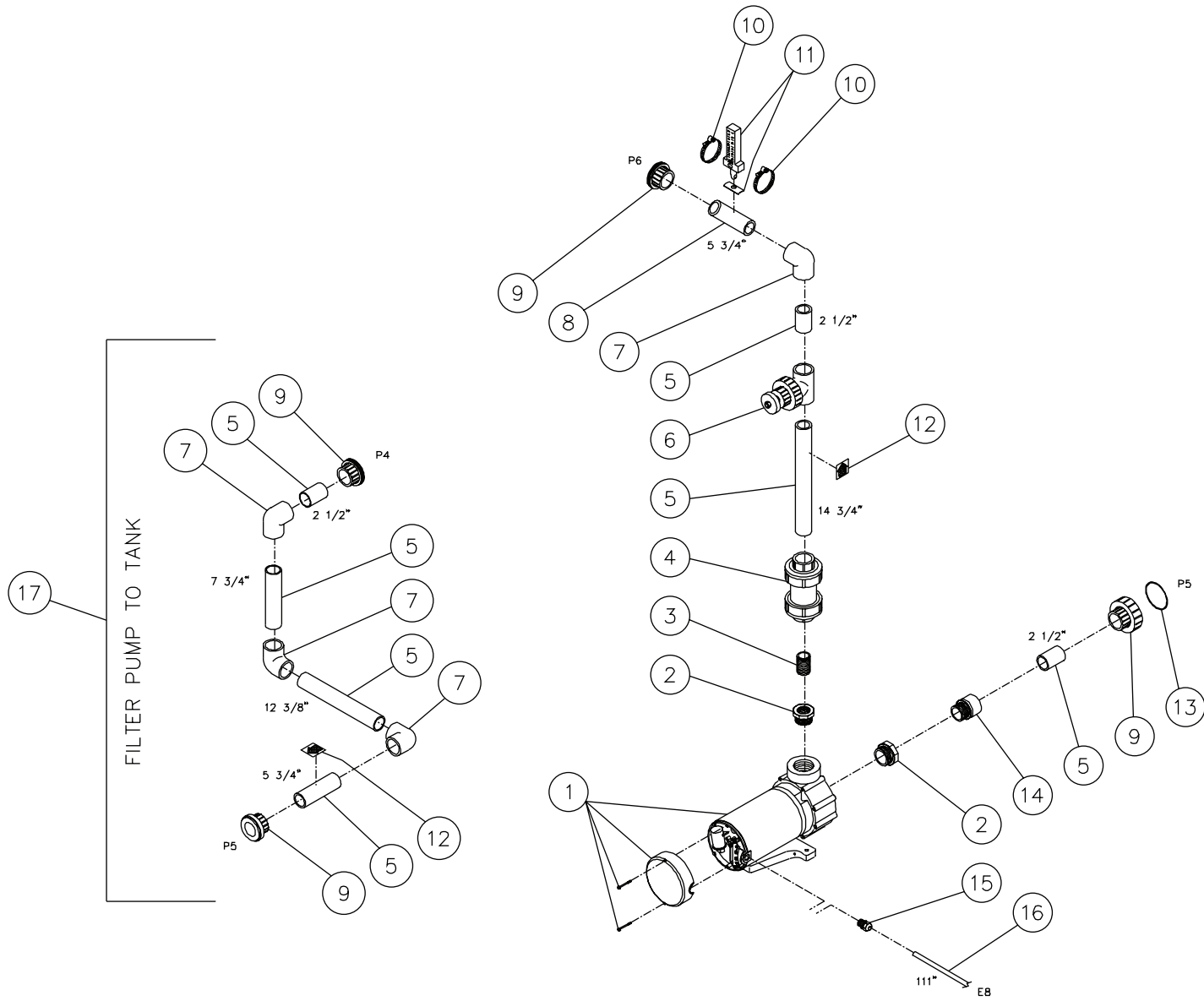


TORQUE SPECS.		
POSITION	IN/LB	N · m
3	15-20	1.7 - 2.3
4	25-30	2.8 - 3.4
8	10-15	1.1 - 1.7
10	20-25	2.3 - 2.8
13	15-25	1.7 - 2.8
17	20-25	2.3 - 2.8
24	35-45	3.9 - 5.1

3-0180-020299-JJ

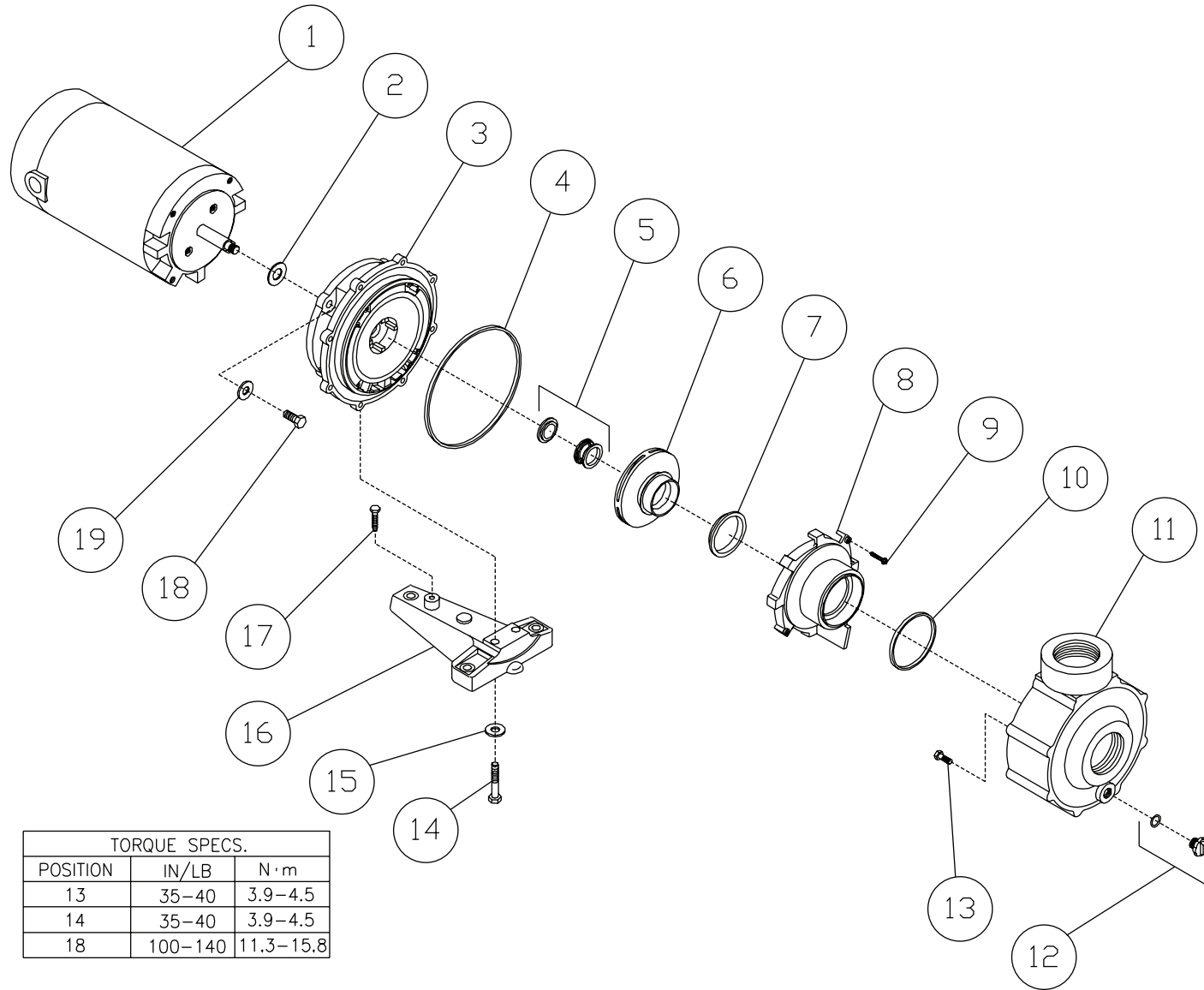
SUMP PUMP (3-0180)							
REF. #	DESCRIPTION	PART#	QTY.	REF. #	DESCRIPTION	PART#	QTY.
1	Motor Housing	N/A	1	16	Lockwasher	29-0107	3
2	O-ring	25-0456	4	17	Screw	27-5020	3
3	Plug	39-0111	1	18	Lockwasher	29-1008	3
4	Terminal	32-0588	3	19	Stator	N/A	1
5	Relay	32-0589	1	20	Bearing	48-0070	2
6	Screw	27-8940	3	21	Retaining Ring	N/A	2
7	Wire	32-0590	1	22	Rotor	52-0052	1
8	Screw	27-2044	3	23	Seal	25-0458	1
9	Power Cord	32-0591	1	24	Bolt	27-5021	4
10	Screw	27-5019	6	25	Lockwasher	29-1006	4
11	Relay Housing	46-0832	1	26	Plate	46-0833	1
12	Clamp	32-0592	1	27	Seal	26-0219	1
13	Screw	27-8941	2	28	Impeller	46-0831	1
14	Seal	25-0457	1	29	Volute	46-0841	1
15	Wire	32-0593	1				

FILTER PUMP ASSEMBLY



FILTER PUMP ASSEMBLY			
REF. #	DESCRIPTION	PART#	QTY.
1	Filter Pump	3-0179	1
2	Reducer Bushing	55-1833	2
3	Nipple	55-1674	1
4	Check Valve	55-1652	1
5	Pipe *(Varied Feet Required)	55-1600	1
6	Gate Valve	55-1671	1
7	Elbow	55-1609	1
8	Pipe *(Varied Feet Required)	55-1685	1
9	Union (Includes O-ring 25-0448)	55-1645	4
10	Clamp	42-0027	2
11	Flow Meter	55-0016	1
12	Decal- Black and Yellow Arrow	34-0883	2
13	O-ring	25-0448	1
14	Adapter	55-1622	1
15	Strain Relief	32-0437	1
16	Cord *(Ten Feet Required)	32-0074	1
17	Plumbing- Filter Pump to Tank (Inc. 5, 7, 9, 12)	N/A Sep.	1
*Must Order in One Foot Lengths			

FILTER PUMP (3-0179)

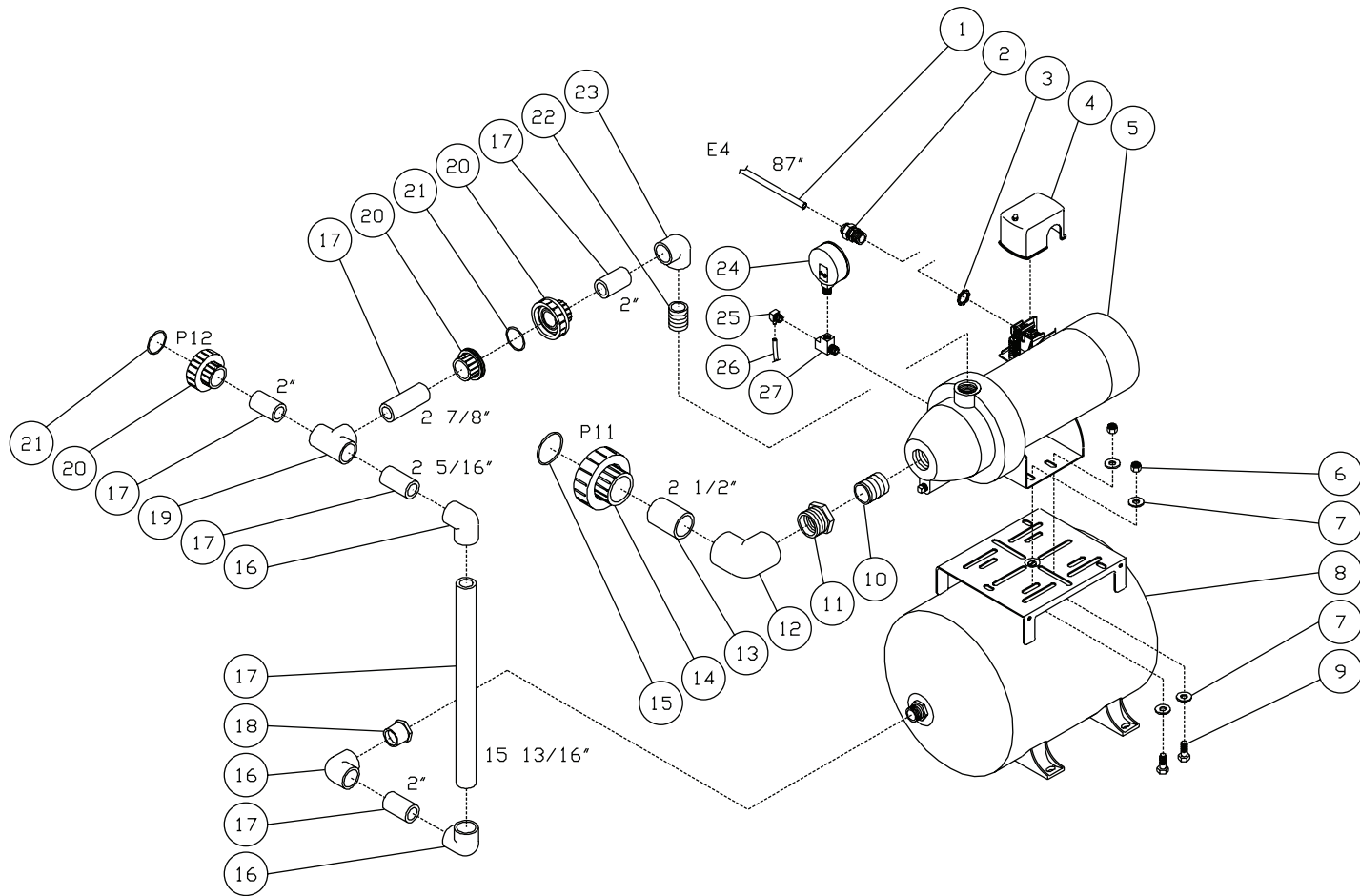


TORQUE SPECS.		
POSITION	IN/LB	N·m
13	35-40	3.9-4.5
14	35-40	3.9-4.5
18	100-140	11.3-15.8

3-0179-020399-JJ

FILTER PUMP (3-0179)			
REF. #	DESCRIPTION	PART#	QTY.
1	Motor- 1/2 HP	N/A	1
2	Rubber Washer	N/A	1
3	Bracket	46-0838	1
4	Square Ring (See 70-0255)	N/A Sep.	1
5	Mechanical Seal	26-0216	1
6	Impeller (See 70-0255)	N/A Sep.	1
7	Eye Seal	26-0217	1
8	Diffuser (See 70-0253)	N/A Sep.	1
9	Bolt	27-8938	2
10	Square Ring (See 70-0253)	N/A Sep.	1
11	Case Flange Assembly	46-0840	1
12	Plug Assembly	39-0110	1
13	Bolt	27-5016	8
14	Bolt (See 70-0252)	N/A Sep.	2
15	Washer (See 70-0252)	N/A Sep.	2
16	Base Assembly	5-0145	1
17	Bolt (See 70-0252)	N/A Sep.	1
18	Bolt	27-8939	4
19	Washer	28-0123	4
	Fastner Kit (Includes 14,15,17)	70-0252	
	Diffuser Kit (Includes 8-10)	70-0253	
	Impeller Kit (Includes 4-7)	70-0255	

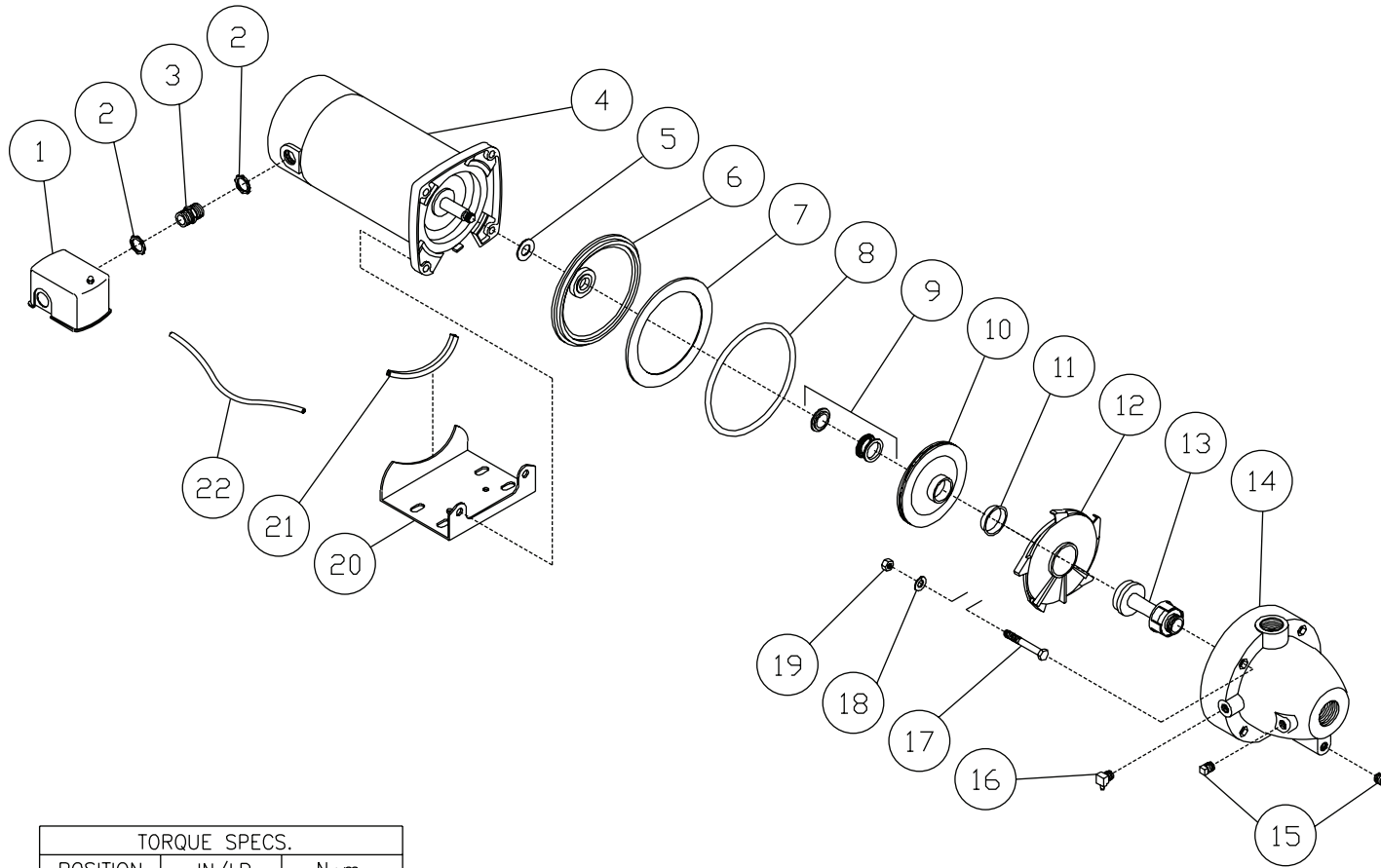
TRANSFER PUMP/TANK ASSEMBLY



WLP-0033-020599-JJ

TRANSFER PUMP/ TANK ASSEMBLY							
REF. #	DESCRIPTION	PART#	QTY.	REF. #	DESCRIPTION	PART#	QTY.
1	Cord *(Eight Feet Required)	32-0074	1	15	O-ring	25-0448	1
2	Strain Relief	32-0437	1	16	Elbow	55-1209	3
3	Locknut	32-0108	1	17	Pipe *(Varied Feet Required)	55-1200	1
4	Pressure Switch Cap	N/A	1	18	Reducer Bushing	55-1228	1
5	Transfer Pump	3-0186	1	19	Tee	55-1201	1
6	Locknut Hex	30-5159	4	20	Union (Includes O-ring 25-0447)	55-1245	2
7	Washer	28-0123	8	21	O-ring	25-0447	2
8	Horizontal Pressure Tank	12-0078	1	22	Nipple	55-1274	1
9	Bolt	27-5117	4	23	Elbow	55-1210	1
10	Nipple	55-1474	1	24	Pressure Gauge	22-0280	1
11	Reducer Bushing	55-1633	1	25	Elbow	23-0381	1
12	Elbow	55-1610	1	26	Hose	15-0210	1
13	Pipe *(Varied Feet Required)	55-1600	1	27	Tee	23-0127	1
14	Union (Includes O-ring 25-0448)	55-1645	1	*Must Order in One Foot Lengths			

TRANSFER PUMP (3-0186)

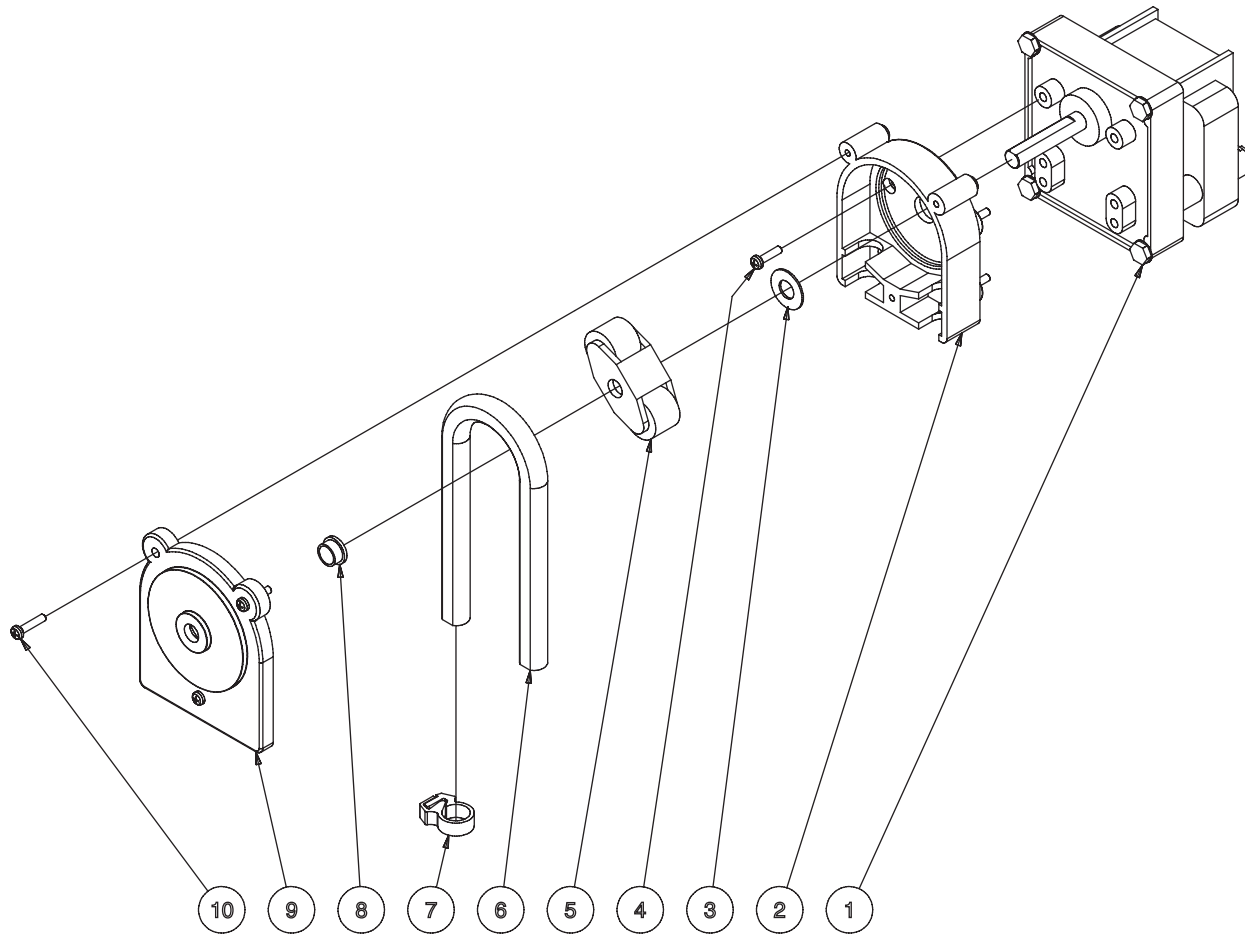


TORQUE SPECS.		
POSITION	IN/LB	N·m
19	150-160	16.9-18.0

3-0186-040600-JJ

TRANSFER PUMP (3-0186)								
REF. #	DESCRIPTION	PART#	QTY.		REF. #	DESCRIPTION	PART#	QTY.
1	Pressure Switch	22-0293	1		13	Venturi	46-0899	1
2	Locknut	32-0108	2		14	Case	46-0837	1
3	Fitting	54-0040	1		15	Plug	39-0109	2
4	Motor	N/A	1		16	Elbow	23-0381	1
5	Rubber Washer	N/A	1		17	Bolt	27-8937	4
6	Seal Plate	26-0214	1		18	Lock Washer	29-0008	4
7	Disk	46-0898	1		19	Nut	30-0006	4
8	O-ring (See 70-0257)	N/A Sep.	1		20	Base (Includes Ref. 21)	5-0144	1
9	Seal	26-0215	1		21	Rubber Protector	33-0320	1
10	Impeller (See 70-0257)	N/A Sep.	1		22	Hose	15-0210	1
11	Wear Ring	46-0835	1			Impeller Kit (Includes 8-12)	70-0313	1
12	Diffuser (See 70-0257)	N/A Sep.	1			Complete Transfer Pump	3-0186	

PH/ORP PUMP (3-0182)

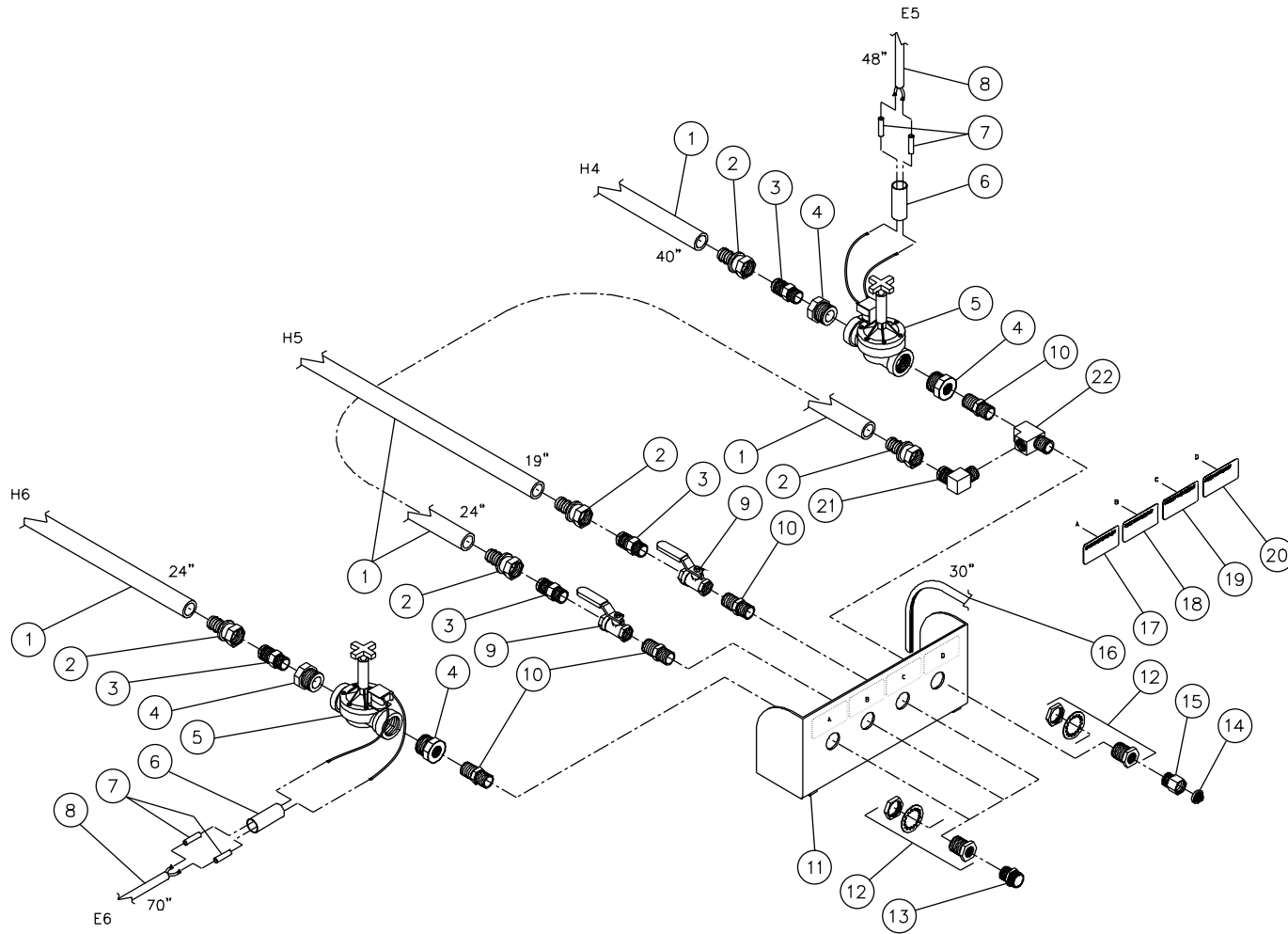


3-0182-042604-JJ

3-0182-042604-ASY

PH/ ORP PUMP (3-0182)			
REF. #	DESCRIPTION	PART#	QTY.
1	Motor	N/A	1
2	Housing (See 70-0245)	N/A Sep.	1
3	Screw	27-2771	4
4	Washer (See 70-0245)	N/A Sep.	1
5	Roller Bracket Assembly	46-0830	1
6	Tube	15-0205	1
7	Clamp	42-0028	1
8	Bushing	9-0080	1
9	Pump Cover (See 70-0245)	N/A Sep.	1
10	Screw (See 70-0245)	N/A Sep.	3
	PH/ORP Pump Kit (Includes 2, 4, 5, 9, 10)	70-0245	1
	PH/ORP Pump (Includes 1- 10)	3-0182	1

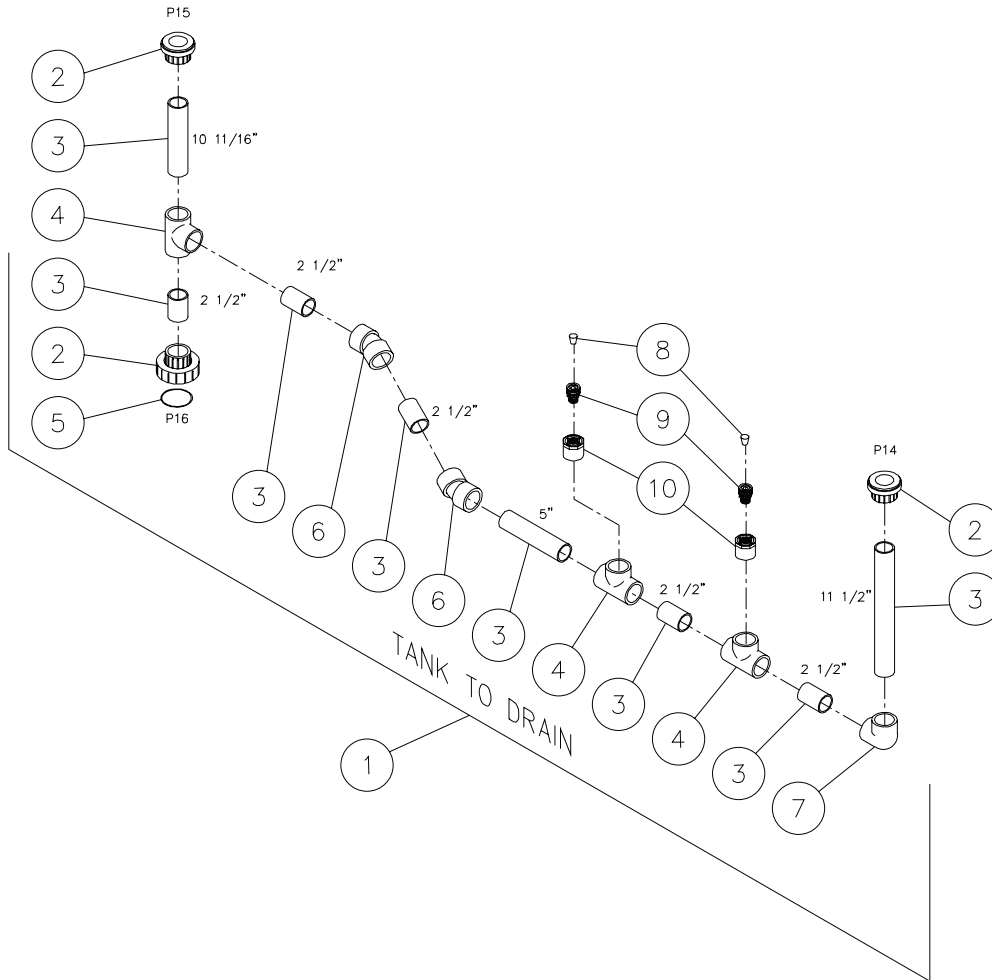
MANIFOLD ASSEMBLY



WLP-0020-020999-JTR

MANIFOLD ASSEMBLY							
REF. #	DESCRIPTION	PART#	QTY.	REF. #	DESCRIPTION	PART#	QTY.
1	Hose *(Nine Feet Required)	15-0033	1	13	Adapter	23-0136	3
2	Hose Barb	23-0358	5	14	Inlet Filter	19-0001	1
3	Nipple	23-0359	4	15	Swivel	23-0095	1
4	Reducer	55-1234	4	16	Edging *(Two Feet Required)	33-0020	1
5	Diaphragm Valve	55-0019	2	17	Decal- Rain Water Overflow	34-0878	1
6	Heat Shrink	33-0219	3	18	Decal- Rinse Water Outlet	34-0876	1
7	Connector	32-0122	4	19	Decal- Pressure Washer Outlet	34-0877	1
8	Cord *(Ten Feet Required)	32-0075	1	20	Decal- Fresh Water Inlet	34-0879	1
9	Valve	22-0278	1	21	Elbow	23-0363	1
10	Nipple	23-0012	3	22	Tee	23-0124	1
11	Bracket	21-0116	1	*Must Order in One Foot Lengths			
12	Tank Adapter	23-0365	4				

PLUMBING: PH/ORP ASSEMBLY

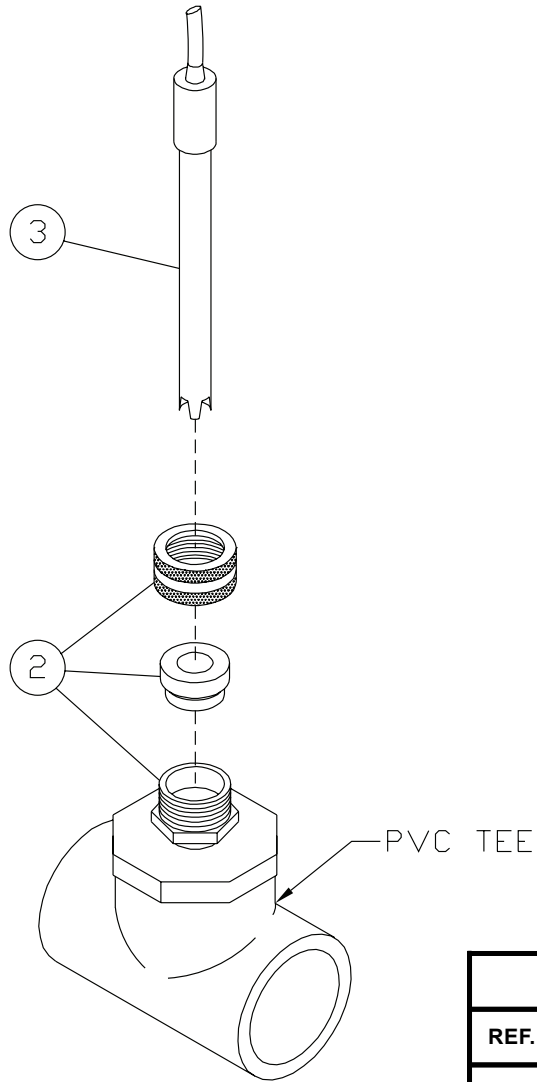
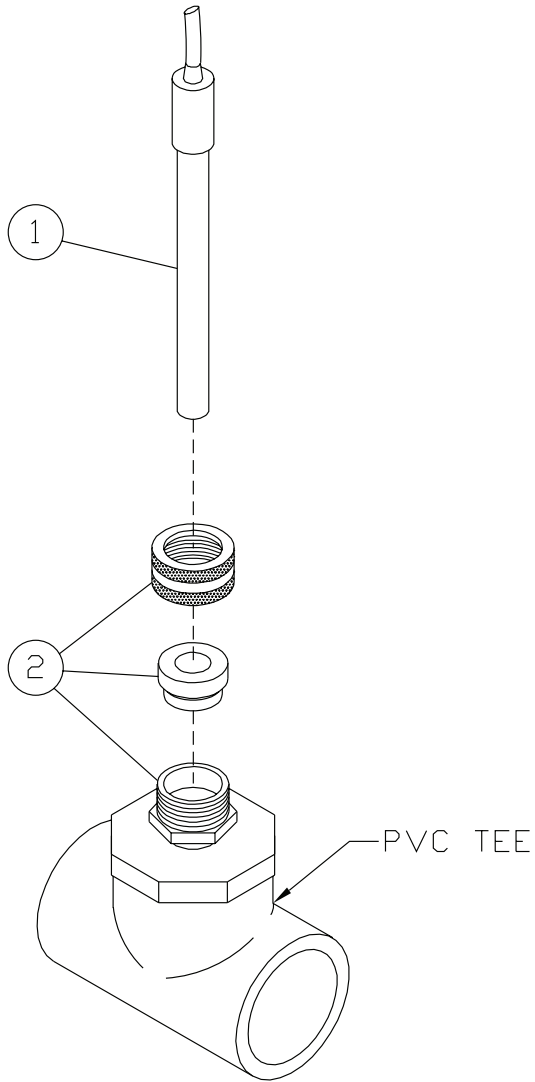


WLP-0029-032499-JTR

PLUMBING: PH/ORP ASSEMBLY			
REF. #	DESCRIPTION	PART#	QTY.
1	Plumbing: Tank to Drain (Inc. 2-10)	N/A Sep.	1
2	Union (Includes O-ring 25-0448)	55-1645	3
3	Pipe *(Varied Feet Required)	55-1600	1
4	Tee	55-1601	3
5	O-ring	25-0448	1
6	Elbow	55-1612	2
7	Elbow	55-1609	1
8	Plug	32-0559	2
9	Strain Relief	32-0550	2
10	Reducer	55-1631	2
*Must Order in One Foot Lengths			

WLP-0029-032499-JTR

PH/ORP PROBE INSTALLATION

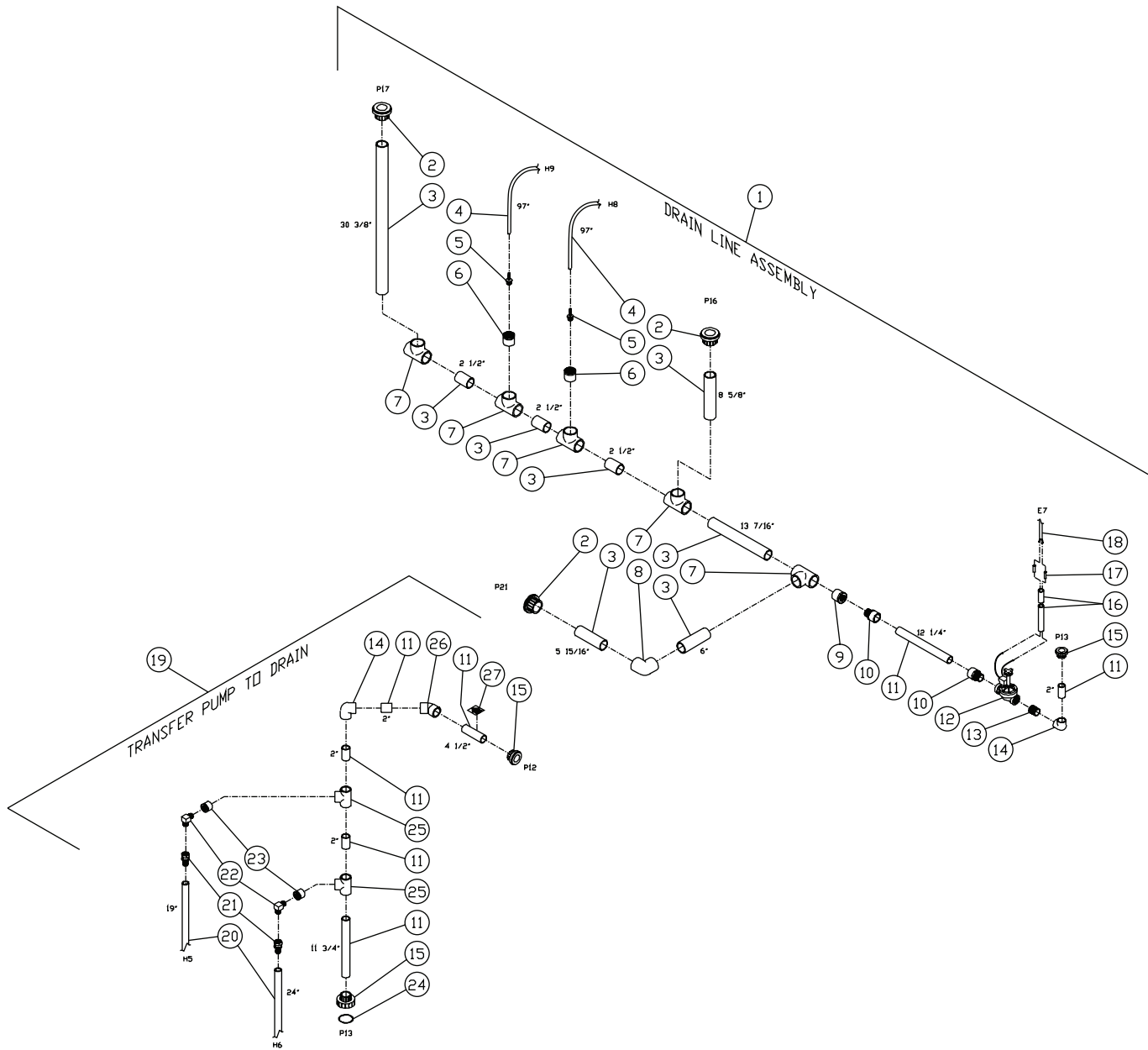


WLP-0054-012199-JJ

PH/ ORP PROBE INSTALLATION			
REF. #	DESCRIPTION	PART#	QTY.
1	ORP Probe	32-0540	1
2	Strain Relief	32-0550	2
3	PH Probe	32-0538	1

WLP-0054-012199-JJ

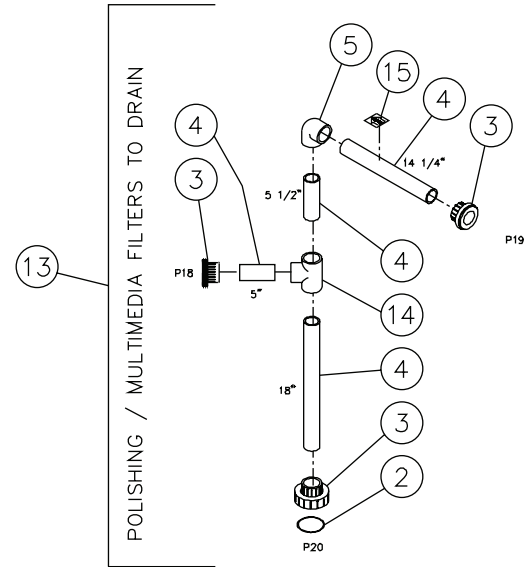
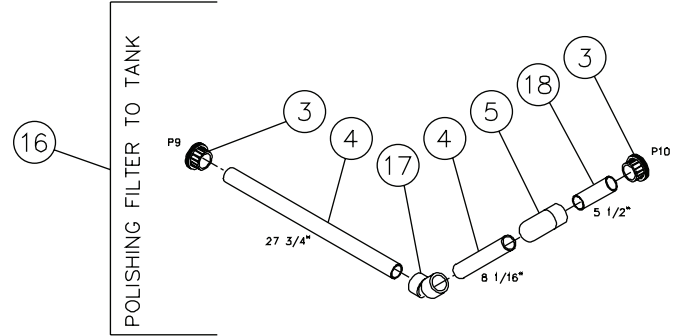
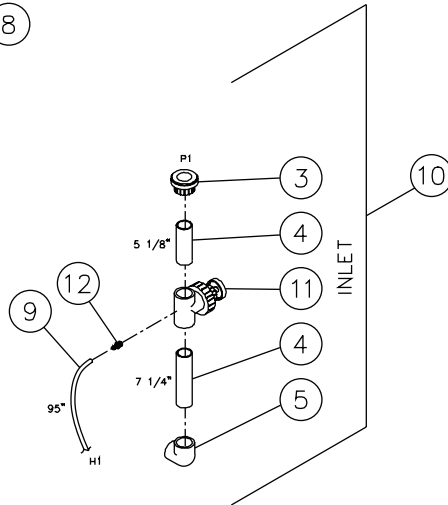
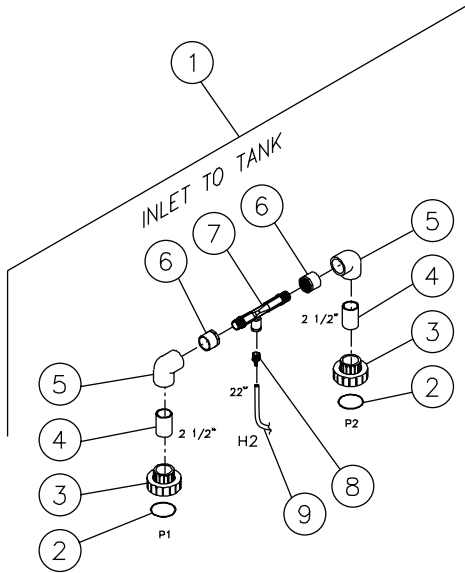
PLUMBING: DRAIN ASSEMBLY AND TRANSFER PUMP TO DRAIN



WLP-0027-031699-JTR

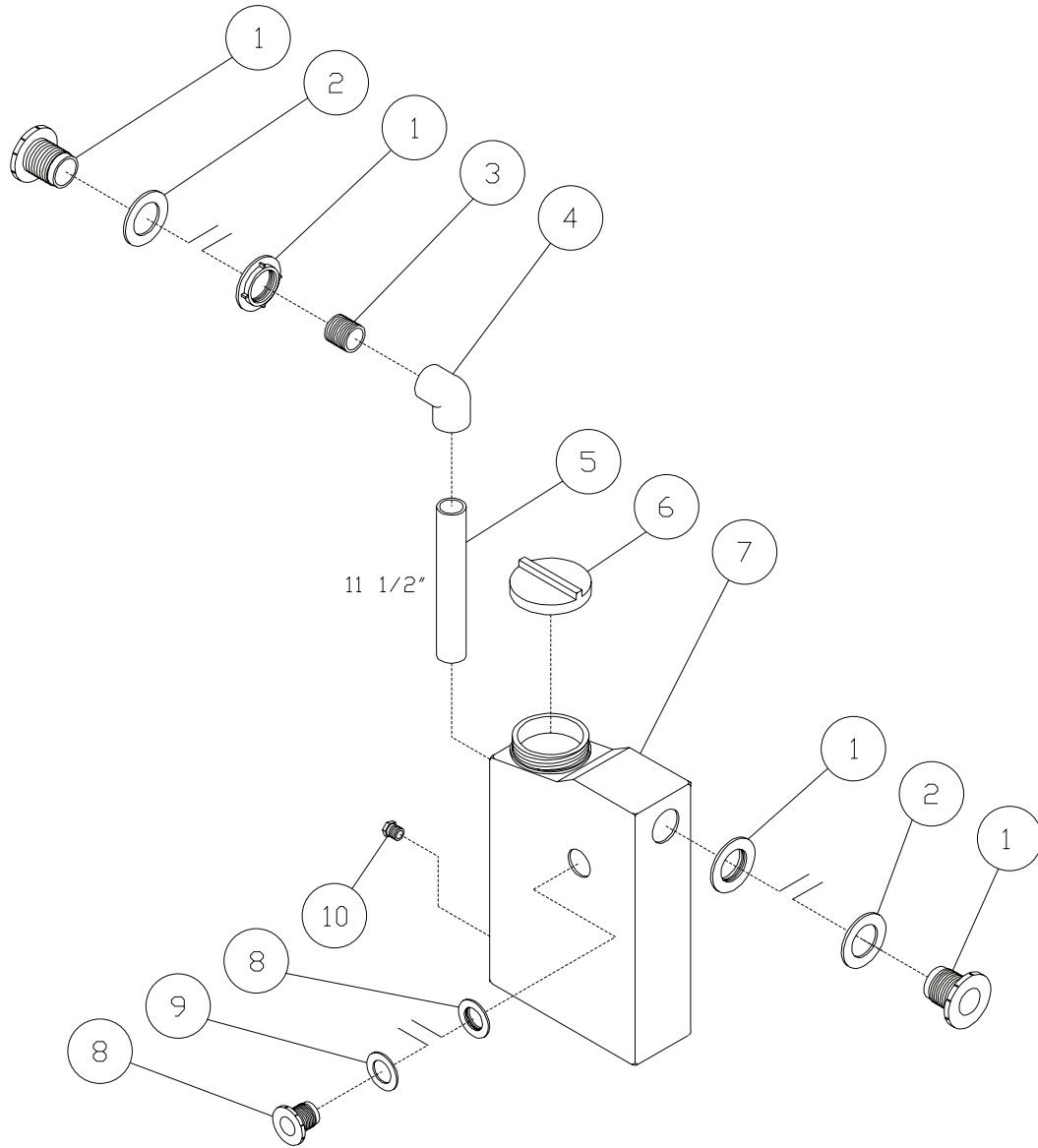
PLUMBING: DRAIN ASSEMBLY AND TRANSFER PUMP TO DRAIN							
REF. #	DESCRIPTION	PART#	QTY.	REF. #	DESCRIPTION	PART#	QTY.
1	Plumbing: Drain Line Assembly (Inc. 2-18)	N/A Sep.	1	15	Union (Includes O-ring 25-0447)	55-1245	3
2	Union (Includes O-ring 25-0448)	55-1645	3	16	Heat Shrink	N/A	1
3	Pipe *(Varied Feet Required)	55-1600	1	17	Connector	32-0122	2
4	Hose *(Seventeen Feet Required)	15-0021	1	18	Cord *(Five Feet Required)	32-0075	1
5	Adapter	55-0023	2	19	Plumbing: Transfer Pump to Drain (Inc. 11, 14, 15, 20-27)	N/A Sep.	1
6	Reducer	55-1631	2	20	Hose *(Four Feet Required)	15-0033	1
7	Tee	55-1601	5	21	Hose Barb	23-0358	2
8	Elbow	55-1609	1	22	Elbow	23-0364	2
9	Reducer	55-1629	1	23	Reducer	55-1228	2
10	Adapter	55-1222	2	24	O-ring	25-0447	1
11	Pipe *(Varied Feet Required)	55-1200	1	25	Tee	55-1201	2
12	Diaphragm Valve	55-0019	1	26	Elbow	55-1212	1
13	Nipple	55-1274	1	27	Decal- Black and Yellow Arrow	34-0883	1
14	Elbow	55-1209	1	*Must Order in One Foot Lengths			

PLUMBING ASSEMBLIES



PLUMBING ASSEMBIES			
REF. #	DESCRIPTION	PART#	QTY.
1	Plumbing: Inlet to Tank (Inc. 2-9)	N/A Sep.	1
2	O-ring	25-0448	3
3	Union (Includes O-ring 25-0448)	55-1645	7
4	Pipe *(Varied Feet Required)	55-1600	1
5	Elbow	55-1609	5
6	Reducer	55-1631	2
7	Injector	55-0015	1
8	Adapter	55-0023	1
9	Hose *(Ten Feet Required)	15-0021	1
10	Plumbing: Inlet (Inc. 3-5, 9, 11, 12)	N/A Sep.	1
11	Valve	55-1671	1
12	Hose Barb	23-0367	1
13	Plumbing: Polishing/Multi Media Filter to Drain (Inc. 2-5, 14, 15)	N/A Sep.	1
14	Tee	55-1601	1
15	Decal- Blackwash Arrow	34-0882	1
16	Plumbing: Polishing Filter to Tank (Inc. 3-5, 17, 18)	N/A Sep.	1
17	Elbow	55-1612	1
18	Pipe *(Varied Feet Required)	55-1685	1
*Must Order in One Foot Lengths			

OIL DECANTER ASSEMBLY



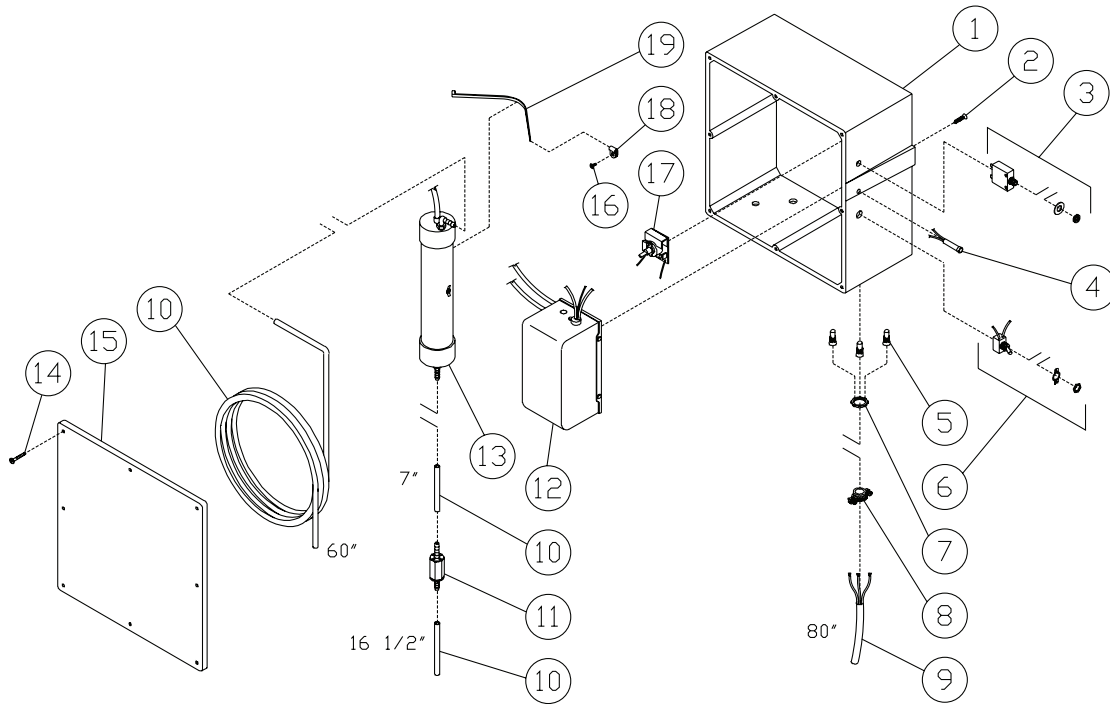
WLP-0043-020599-JJ

OIL DECANTER ASSEMBLY			
REF. #	DESCRIPTION	PART#	QTY.
1	Bulk Head Fitting (Includes Gasket 26-0211)	55-1648	2
2	Gasket	26-0211	2
3	Nipple	55-1674	1
4	Elbow	55-1610	1
5	Pipe *(Varied Feet Required)	55-1600	1
6	Plastic Lid	39-0100	1
7	Tank	12-0077	1
8	Bulk Head Fitting (Includes Gasket 26-0210)	55-1248	1
9	Gasket	26-0210	1
10	Plug	55-0840	1
*Must Order in One Foot Lengths			

WLP-0043-020599-JJ

OZONE GENERATOR (32-0566)

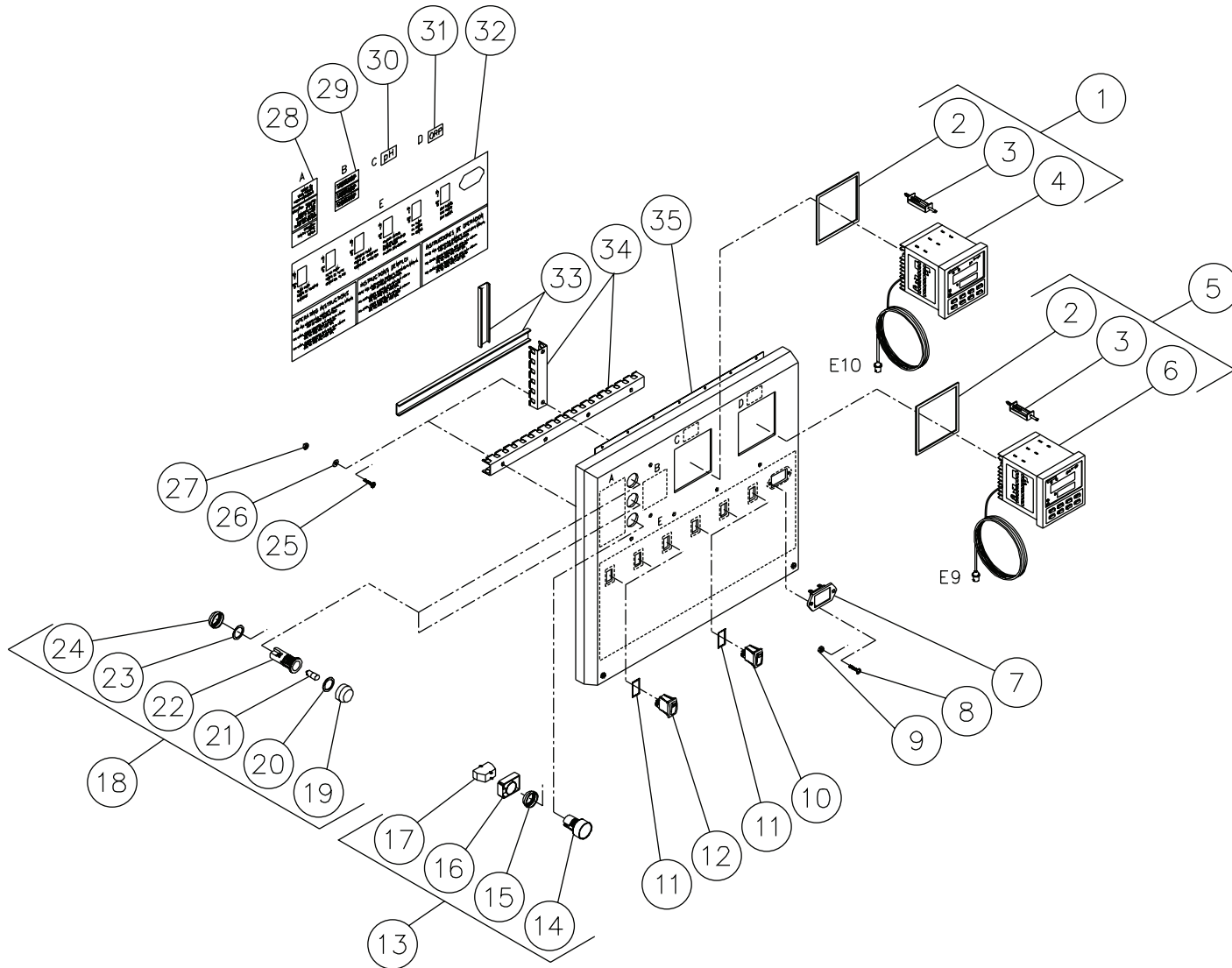
32-0566-031699-JTR



OZONE GENERATOR (32-0566)			
REF. #	DESCRIPTION	PART#	QTY.
1	Control Box	N/A	1
2	Screw	N/A	4
3	Breaker	32-0579	1
4	Light	32-0580	1
5	Connector	32-0359	3
6	Switch	32-0578	1
7	Locknut	32-108	1
8	Strain Relief	32-0437	1
9	Cord *(Eleven Feet Required)	32-0074	1
10	Hose *(Seven Feet Required)	15-0021	1
11	Check Valve	22-0288	1
12	Transformer	32-0581	1
13	Generator	32-0583	1
14	Screw	N/A	8
15	Control Cover	N/A	1
16	Screw	N/A	2
17	Transformer Control	32-0582	1
18	Hold-Down	N/A	2
19	Cable Tie	33-0022	2
*Must Order in One Foot Lengths			

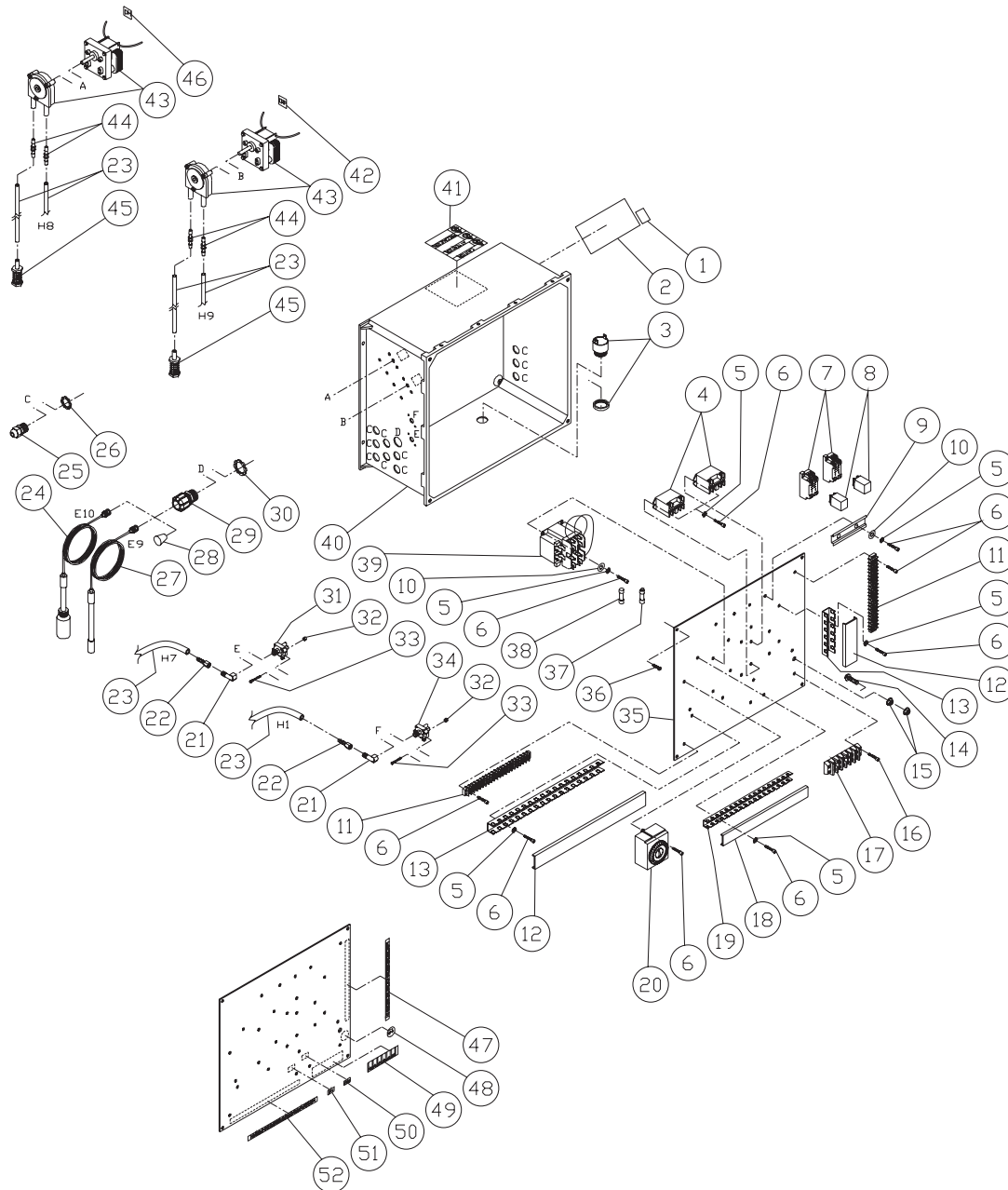
32-0566-031699-JTR

CONTROL PANEL- LID



CONTROL PANEL- LID							
REF. #	DESCRIPTION	PART#	QTY.	REF. #	DESCRIPTION	PART#	QTY.
1	PH Meter/ Controller- Complete (Includes 2-4)	32-0537	1	19	Lens (Must Order 32-0535)	N/A Sep.	1
2	Gasket w/ Meter (Must Order 32-0537)	N/A Sep.	2	20	Gasket (Must Order 32-0535)	N/A Sep.	1
3	Tightener w/ Meter (Must Order 32-0537)	N/A Sep.	2	21	Bulb	32-0628	1
4	PH Meter/ Controller (Must Order 32-0537)	N/A Sep.	1	22	Body (Must Order 32-0535)	N/A Sep.	1
5	ORPMeter/ Controller- Complete (Inc. 2, 3, 6)	32-0539	1	23	Gasket (Must Order 32-0535)	N/A Sep.	1
6	ORPMeter/ Controller (Must Order 32-0539)	N/A Sep.	1	24	Retainer Ring (Must Order 32-0535)	N/A Sep.	1
7	Hourmeter	32-0431	1	25	Screw	27-8927	6
8	Bolt	27-8928	2	26	Lockwasher	28-1009	6
9	Locknut	30-8151	2	27	Locknut	30-8152	6
10	Switch- 240V	32-0552	3	28	Decal- Backwash Controls	34-0880	1
11	Switch Gasket	32-0553	6	29	Decal- Backwash Instructions	34-0881	1
12	Switch- 24V	32-0551	3	30	Decal- PH	34-0871	1
13	Push Button Switch- Complete (Inc. 14-17)	32-0534	1	31	Decal- ORP	34-0872	1
14	Push Button (Must Order 32-0534)	N/A Sep.	1	32	Decal- Control Panel Switches	34-0890	1
15	Retainer Ring (Must Order 32-0534)	N/A Sep.	1	33	Conduit Lid *(Two Feet Required)	32-0318	1
16	Body (Must Order 32-0534)	N/A Sep.	1	34	Conduit Track *(Two Feet Required)	32-0555	1
17	Switch (Must Order 32-0534)	N/A Sep.	1	35	Electrical Box	32-0543	1
18	Indicator Light Panel- Complete (Inc. 19-24)	32-0535	2	*Must Order in One Foot Lengths			

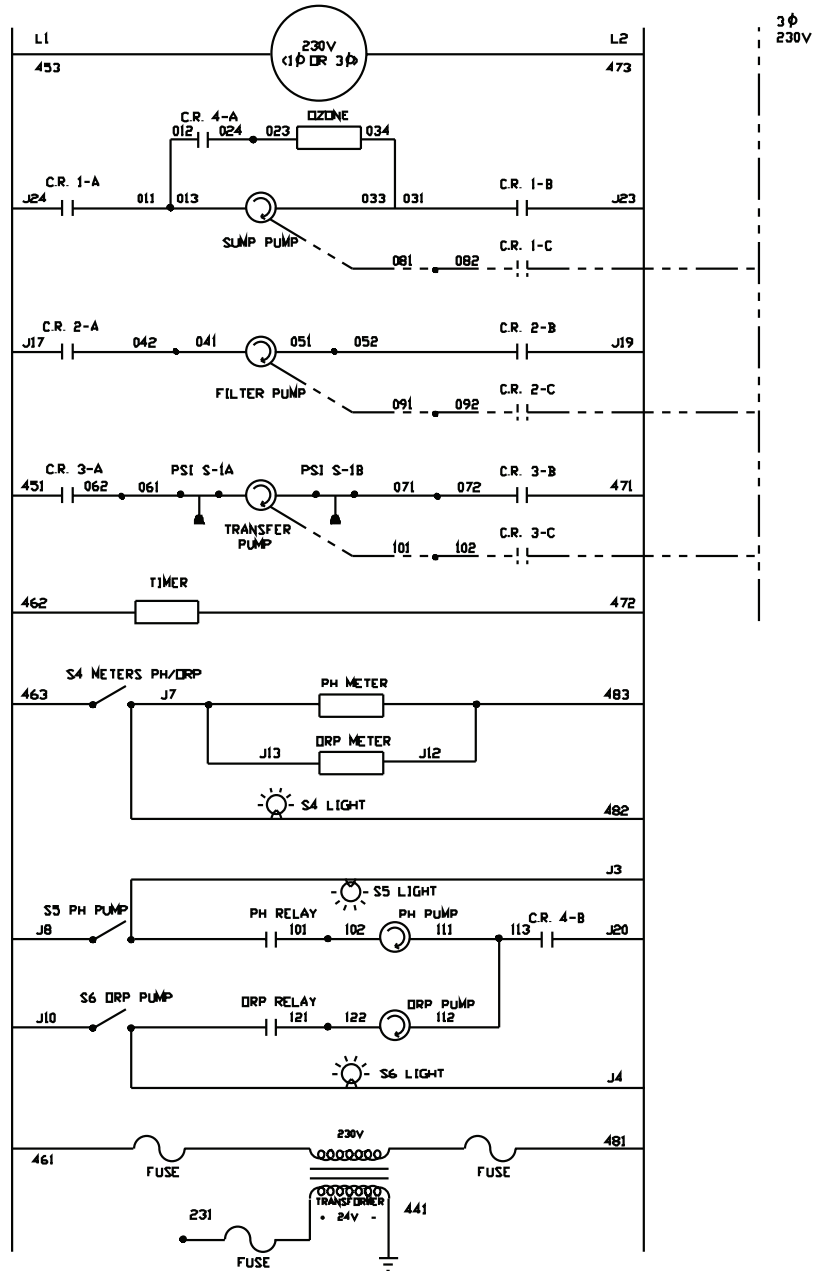
CONTROL PANEL- BASE



CONTROL PANEL- BASE

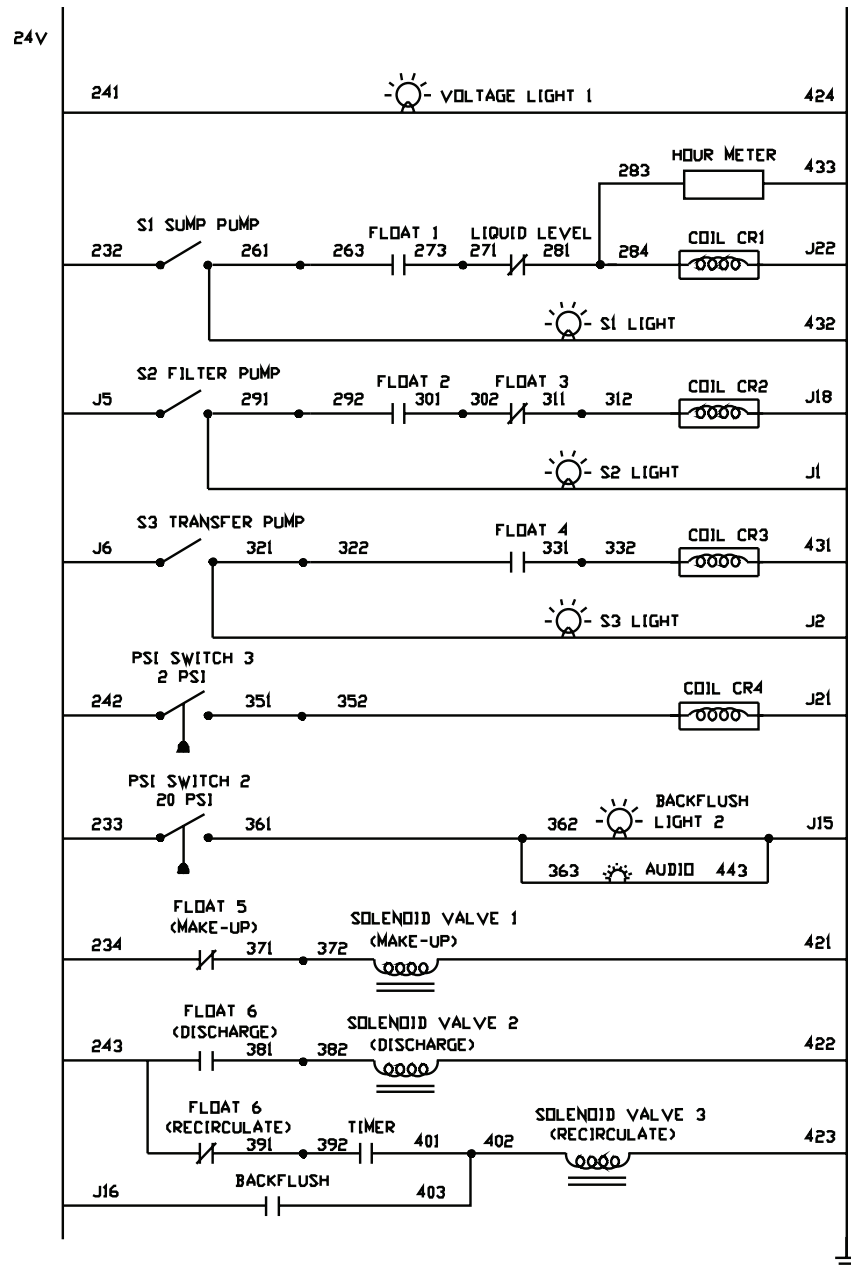
REF. #	DESCRIPTION	PART#	QTY.	REF. #	DESCRIPTION	PART#	QTY.	REF. #	DESCRIPTION	PART#	QTY.
1	Decal- USA Flag	34-0521	1	19	Conduit Track *(One Foot Required)	32-0557	1	37	Fuse- Primary	32-0467	2
2	Decal- Warning: Risk of Electrocutation	34-0884	1	20	Timer	32-0544	1	38	Fuse- Secondary	32-0323	1
3	Alarm	32-0560	1	21	Elbow	23-0118	2	39	Transformer	32-0313	1
4	Relay	32-0549	2	22	Adapter	23-0367	2	40	Electrical Box	32-0543	1
5	Lockwasher	28-1009	16	23	Hose *(Fifty Feet Required)	15-0021	1	41	Decal- Warning: Nonpotable Water	34-0868	1
6	Screw	27-8835	24	24	PH Probe	32-0538	1	42	Decal- ORP	34-0872	1
7	Relay Socket	32-0548	2	25	Strain Relief	32-0437	10	43	Pump	3-0182	2
8	Relay	32-0547	2	26	Locknut	32-0108	10	44	Connector	55-0022	4
9	Din Rail *(One Foot Required)	32-0316	1	27	ORP Probe	32-0540	1	45	Strainer	19-0056	2
10	Washer	28-0010	4	28	Plug	32-0559	1	46	Decal- PH	34-0871	1
11	Terminal Strip	32-0463	2	29	Strain Relief	9-0046	1	47	Decal- Terminal Strip 1-22	34-0867	1
12	Conduit Lid *(Two Feet Required)	32-0318	1	30	Locknut	32-0292	1	48	Decal- Ground	34-0889	1
13	Conduit Track*(Two Feet Required)	32-0555	1	31	Pressure Switch	32-0542	1	49	Decal- Terminal Strip 45-50	34-0888	1
14	Bolt	27-8898	1	32	Locknut	30-8151	4	50	Decal- 230V	34-0895	1
15	Nut	30-3022	2	33	Bolt	27-8928	4	51	Decal- 24V	34-0894	1
16	Screw	27-8930	2	34	Pressure Switch	32-0541	1	52	Decal- Terminal Strip 23-44	34-0886	1
17	Terminal Block	32-0536	1	35	Electrical Plate	20-0484A14	1	*Must Order in One Foot Lengths			
18	Conduit Lid *(One Foot Required)	32-0558	1	36	Screw	27-8933	4				

ELECTRICAL SCHEMATIC- 230 VOLT



WLP-0048-112598-JJ

ELECTRICAL SCHEMATIC- 24 VOLT

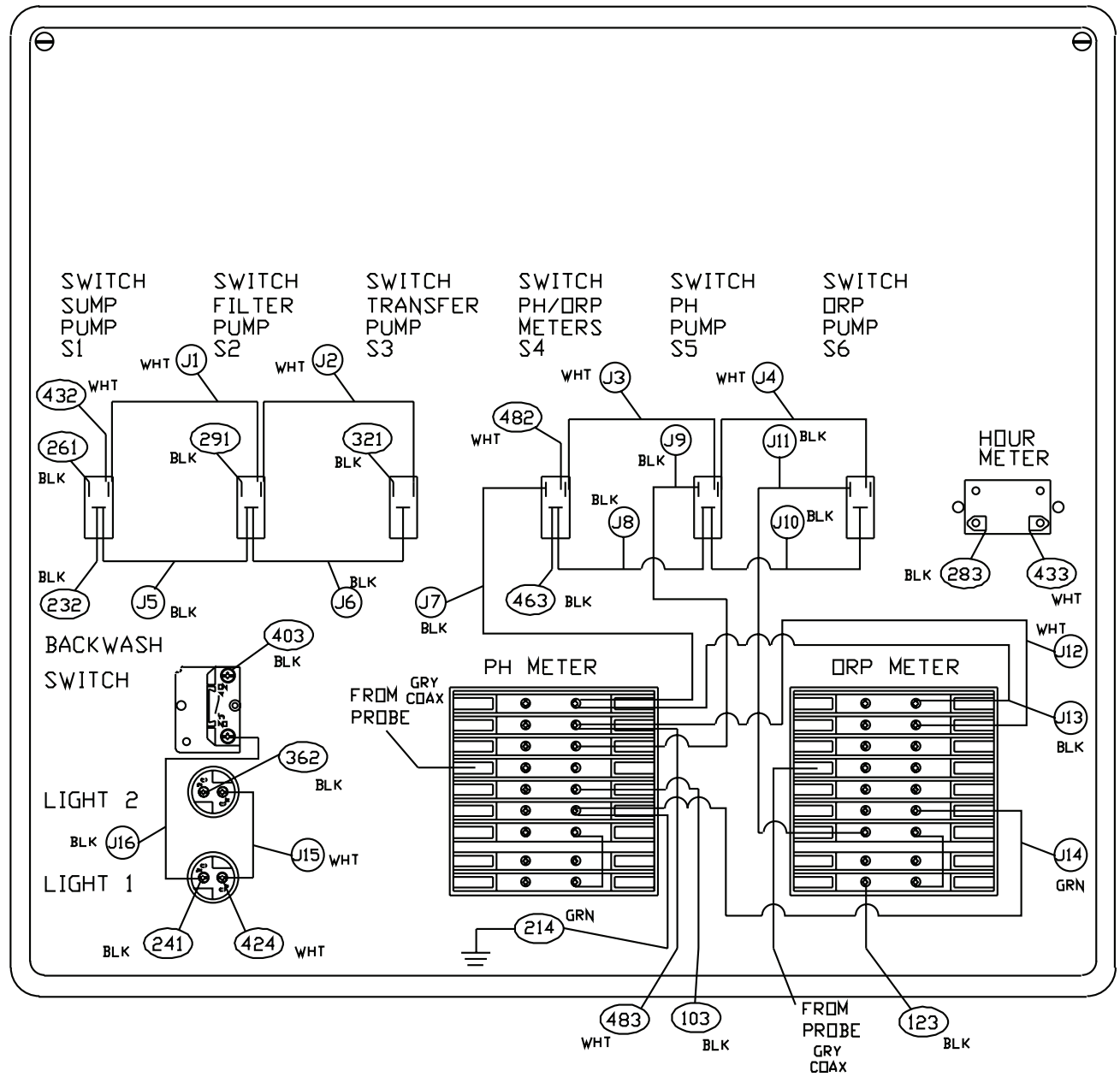


WLP-0049-112598-JJ

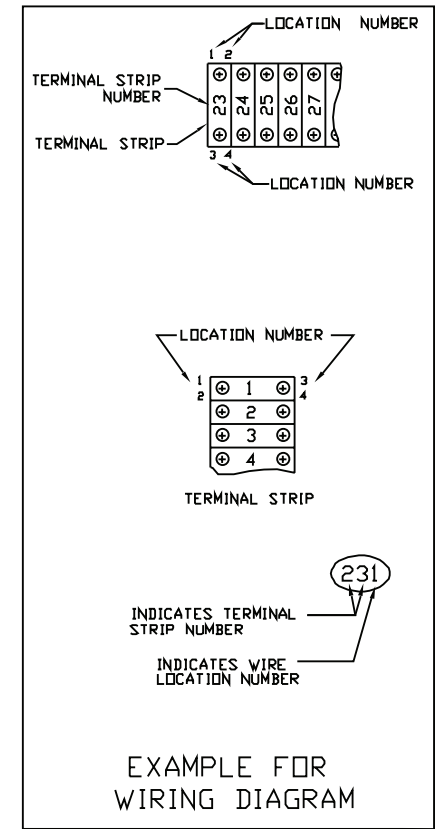
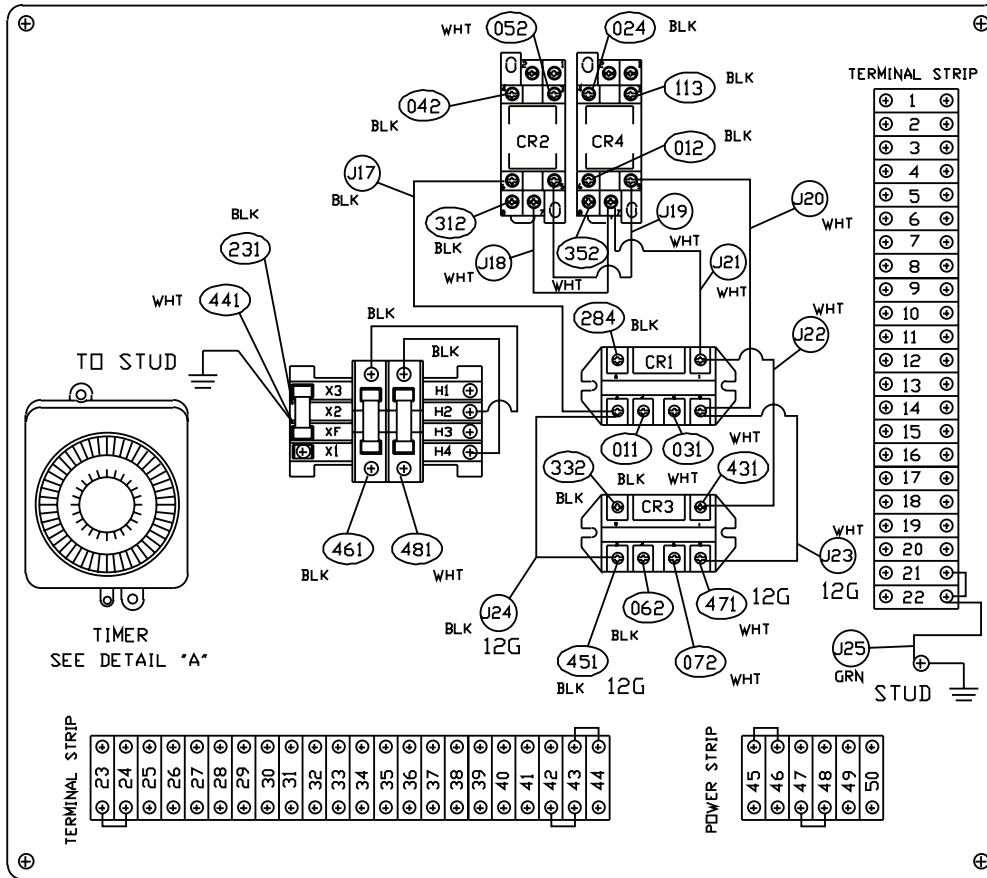
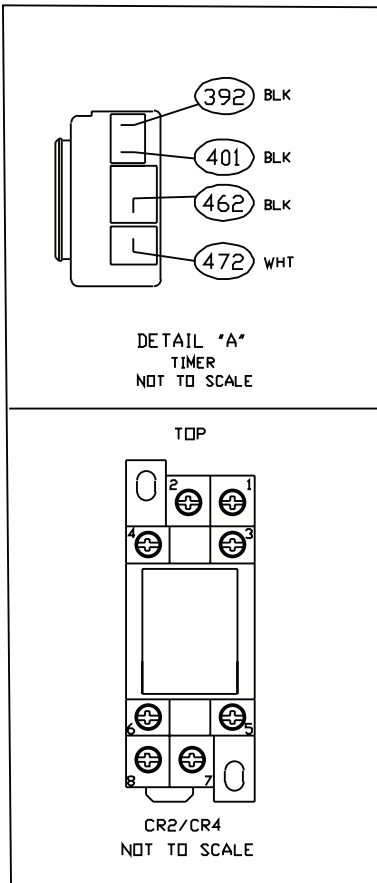
ELECTRICAL DIAGRAM-LID

	9E	⊕	8I	6	⊕	L2	
	5E	⊕	L1	8	⊕	9E	
	7E	⊕	9I	7	⊕	5E	
	3E	⊕	5I	9	⊕	7E	
	2E	⊕	4I	5	⊕	3E	
	1E	⊕	3I	4	⊕	2E	
	0E	⊕	2I	3	⊕	1E	
	6E	⊕	1I	2	⊕	0E	
	8E	⊕	0I	1	⊕	6E	

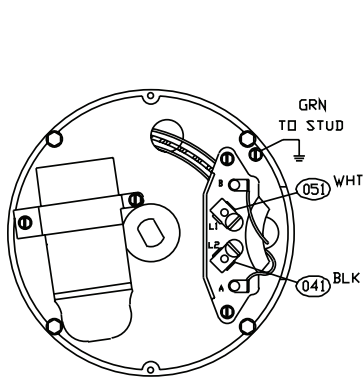
PH/ORP CONTROLLER
NOT TO SCALE



ELECTRICAL DIAGRAM- PLATE

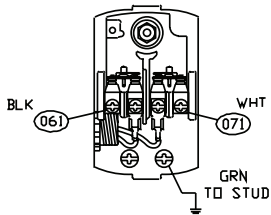


ELECTRICAL DIAGRAM-BASE



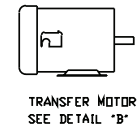
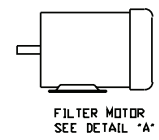
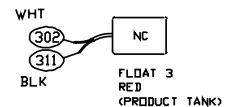
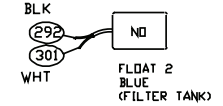
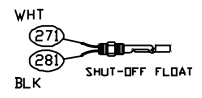
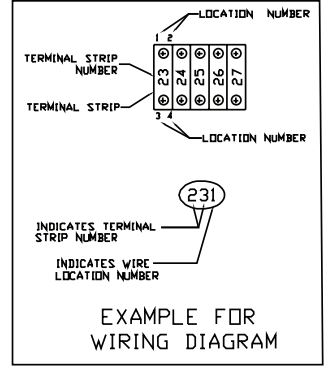
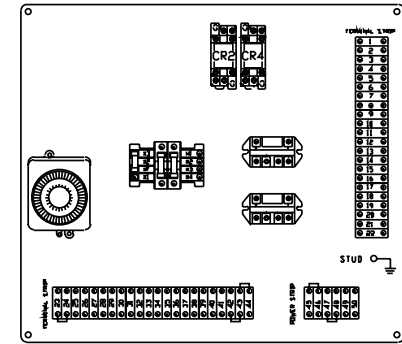
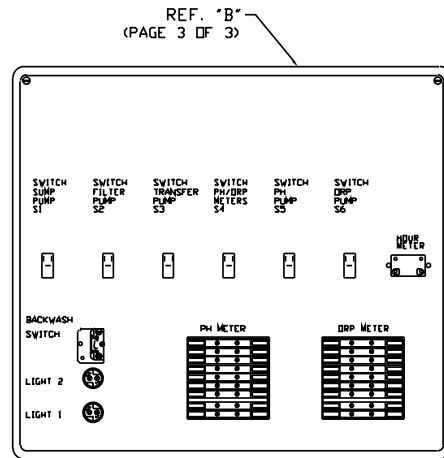
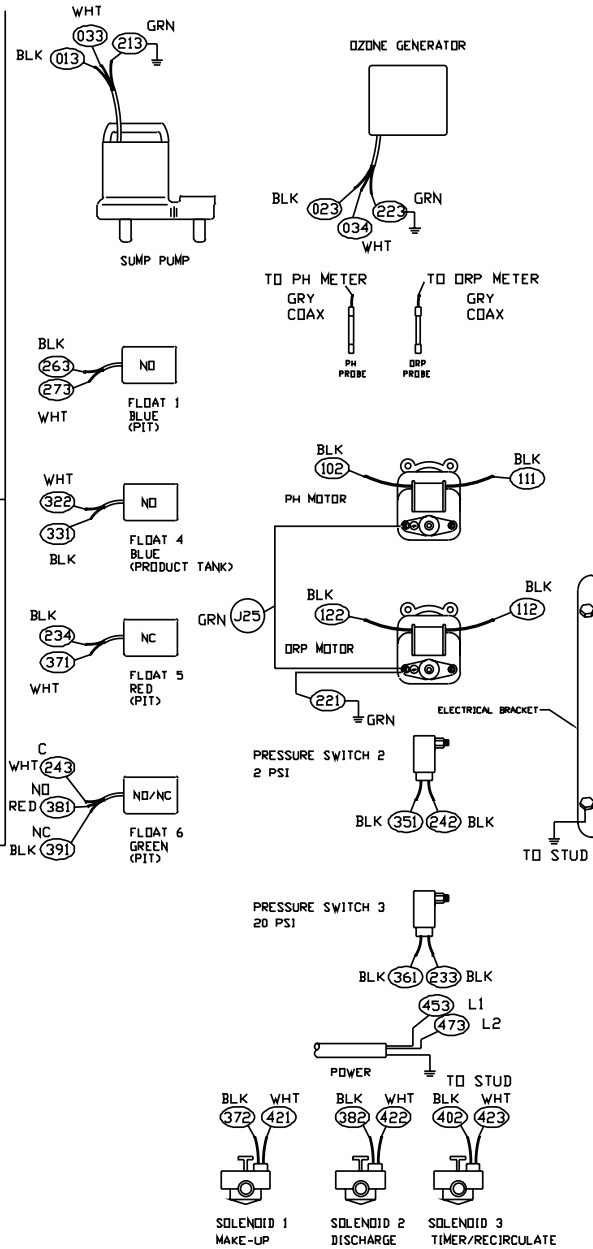
DETAIL "A"

FILTER PUMP
NOT TO SCALE



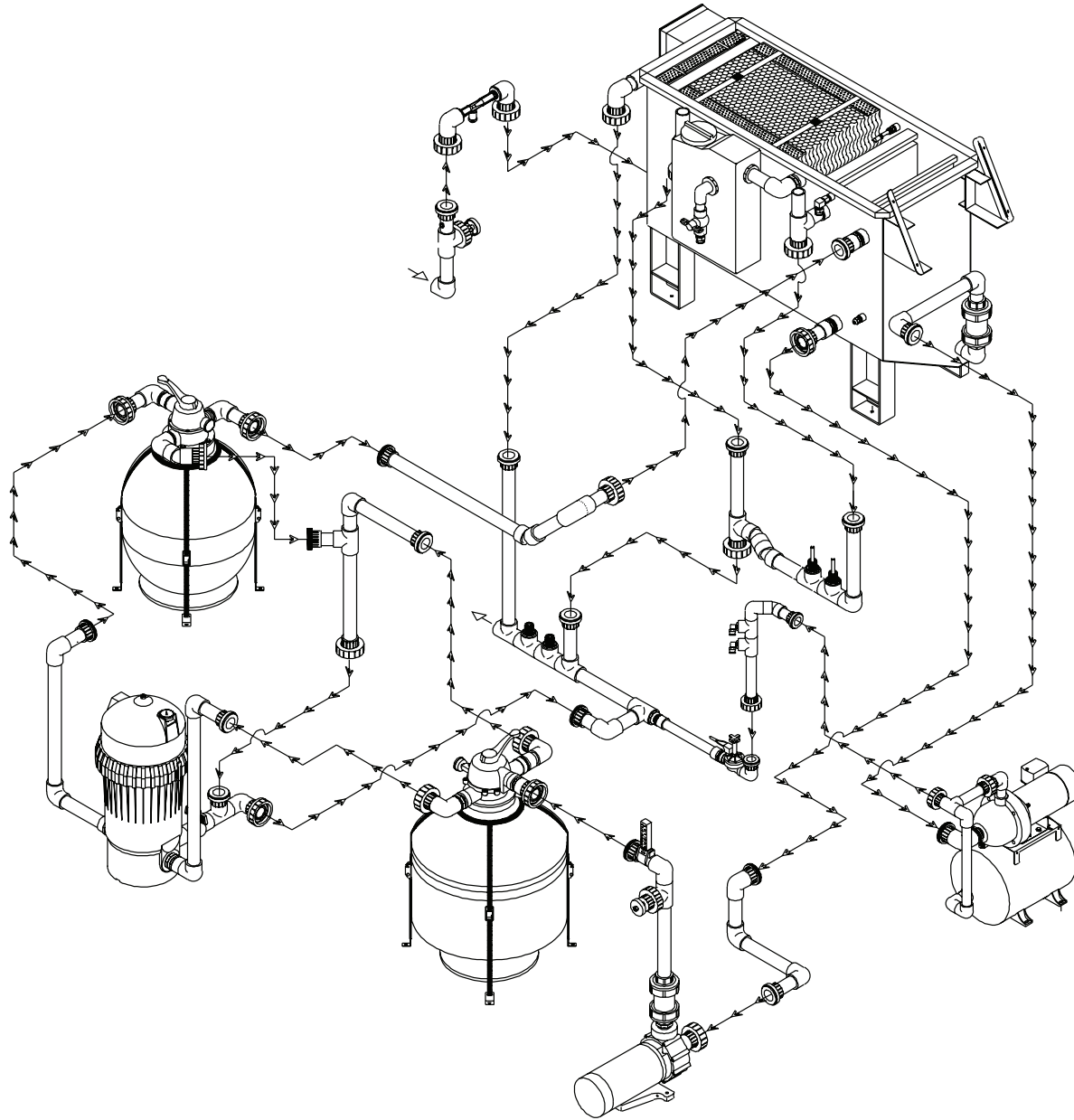
DETAIL "B"

PRESSURE SWITCH 1
TRANSFER PUMP
NOT TO SCALE



WLP-0050-091098-JJ

PLUMBING/FLOW DIAGRAM



WLP-0057-020999-JTR

NOTES

NOTES

