



PARTS LIST FOR
AIR COMPRESSOR
AES-20315-120HM
AES-23315-120HM
AES-46315-120HM
(AFTER SERIAL #20107354)

MAXIMUM PRESSURE:	175 PSI
COMPRESSOR OIL GRADE:	SAE30W NON-DETERGENT
COMPRESSOR OIL CAPACITY:	48 oz.

This Parts Listing has been compiled for your benefit. You can be assured your Mi-T-M Gasoline Air Compressor was constructed and designed with quality and performance in mind. Each component has been rigorously tested to insure the highest level of acceptance.

The contents of this Parts Listing are based on the latest product information available at the time of publication. Mi-T-M reserves the right to make changes in price, color, materials, equipment, specifications or models at any time without notice.

WARNING

THIS IS A PROFESSIONAL ELECTRIC AIR COMPRESSOR. CAUTION SHOULD BE OBSERVED WHEN USING OR REPAIRING THIS UNIT! READ AND FOLLOW THE SAFETY WARNINGS LISTED BELOW BEFORE ATTEMPTING ANY REPAIRS ON THIS AIR COMPRESSOR!

SAFETY WARNINGS

1. NEVER alter or modify the equipment. Be sure any accessory items and system components being used will withstand the pressure developed. Use only genuine Mi-T-M parts for repair of your air compressor. Failure to do so can cause hazardous operating conditions and will VOID warranty.
2. Know how to stop and bleed pressures quickly. Be thoroughly familiar with controls.
3. Before servicing the unit, turn unit off, relieve the pressure and allow the unit to cool down. Do not make repairs while the unit is running. Service in a clean, dry, flat area. Block the wheels to prevent the unit from moving. Be especially careful to properly dispose of any flammable materials.
4. After testing the machine, DO NOT leave the pressurized unit unattended. Shut off the unit and release trapped pressure before leaving.

Table of Contents

NOTES	4
SPECIFICATIONS.....	5
FLOW CHART	6
GENERAL THEORY OF OPERATION	7
AES 120 GAL HORIZONTAL M SERIES	8
CONTROL BOX (SIMPLEX).....	10
COMPRESSOR PUMP (3-0314).....	12
AFTERCOOLER (IX-0004)	14
TANK DRAIN OPTION (IX-0032).....	15
ELECTRIC TANK DRAIN (IX-0006)	16
LOW OIL SHUTDOWN (IX-0036)	17
WIRING SCHEMATIC (230V SINGLE PHASE) M SERIES (AFTER SERIAL #20107354).....	18
WIRING DIAGRAM (230V SINGLE PHASE) M SERIES (AFTER SERIAL #20107354).....	19
WIRING SCHEMATIC DUAL CONTROL AND STARTER (230V SINGLE PHASE) (AFTER SERIAL #20107354).....	20
WIRING DIAGRAM DUAL CONTROL AND STARTER (230V SINGLE PHASE) (AFTER SERIAL #20107354).....	21
WIRING SCHEMATIC LOW OIL SHUTDOWN AND STARTER (230V SINGLE PHASE)	22

WIRING DIAGRAM LOW OIL SHUTDOWN AND STARTER (230V SINGLE PHASE)	23
WIRING SCHEMATIC STARTER (230V SINGLE PHASE).....	24
WIRING DIAGRAM STARTER (230V SINGLE PHASE).....	25
WIRING SCHEMATIC (200-230V THREE PHASE) M SERIES (AFTER SERIAL #20107354).....	26
WIRING DIAGRAM (200-230V THREE PHASE) M SERIES (AFTER SERIAL #20107354).....	27
WIRING SCHEMATIC DUAL CONTROL AND STARTER (200-230V THREE PHASE) (AFTER SERIAL #20107354).....	28
WIRING DIAGRAM DUAL CONTROL AND STARTER (200-230V SINGLE PHASE) (AFTER SERIAL #20107354).....	29
WIRING SCHEMATIC LOW OIL SHUTDOWN AND STARTER (200-230V THREE PHASE)	30
WIRING DIAGRAM LOW OIL SHUTDOWN AND STARTER (200-230V THREE PHASE)	31
WIRING SCHEMATIC STARTER (200-230V THREE PHASE).....	32
WIRING DIAGRAM STARTER (200-230V THREE PHASE).....	33
WIRING SCHEMATIC (460V THREE PHASE) M SERIES (AFTER SERIAL #20107354)	34
WIRING DIAGRAM (460V THREE PHASE) M SERIES (AFTER SERIAL #20107354).....	35
WIRING SCHEMATIC DUAL CONTROL AND STARTER (460V THREE PHASE) (AFTER SERIAL #20107354).....	36
WIRING DIAGRAM DUAL CONTROL AND STARTER (460V THREE PHASE) (AFTER SERIAL #20107354).....	37
WIRING SCHEMATIC LOW OIL SHUTDOWN AND STARTER (460V THREE PHASE).....	38
WIRING DIAGRAM LOW OIL SHUTDOWN AND STARTER (460V THREE PHASE).....	39
WIRING SCHEMATIC STARTER (460V THREE PHASE)	40
WIRING DIAGRAM STARTER (460V THREE PHASE).....	41

NOTES

SERIAL NUMBER BREAK

DATE

REASON

#20107354

10/05/2009

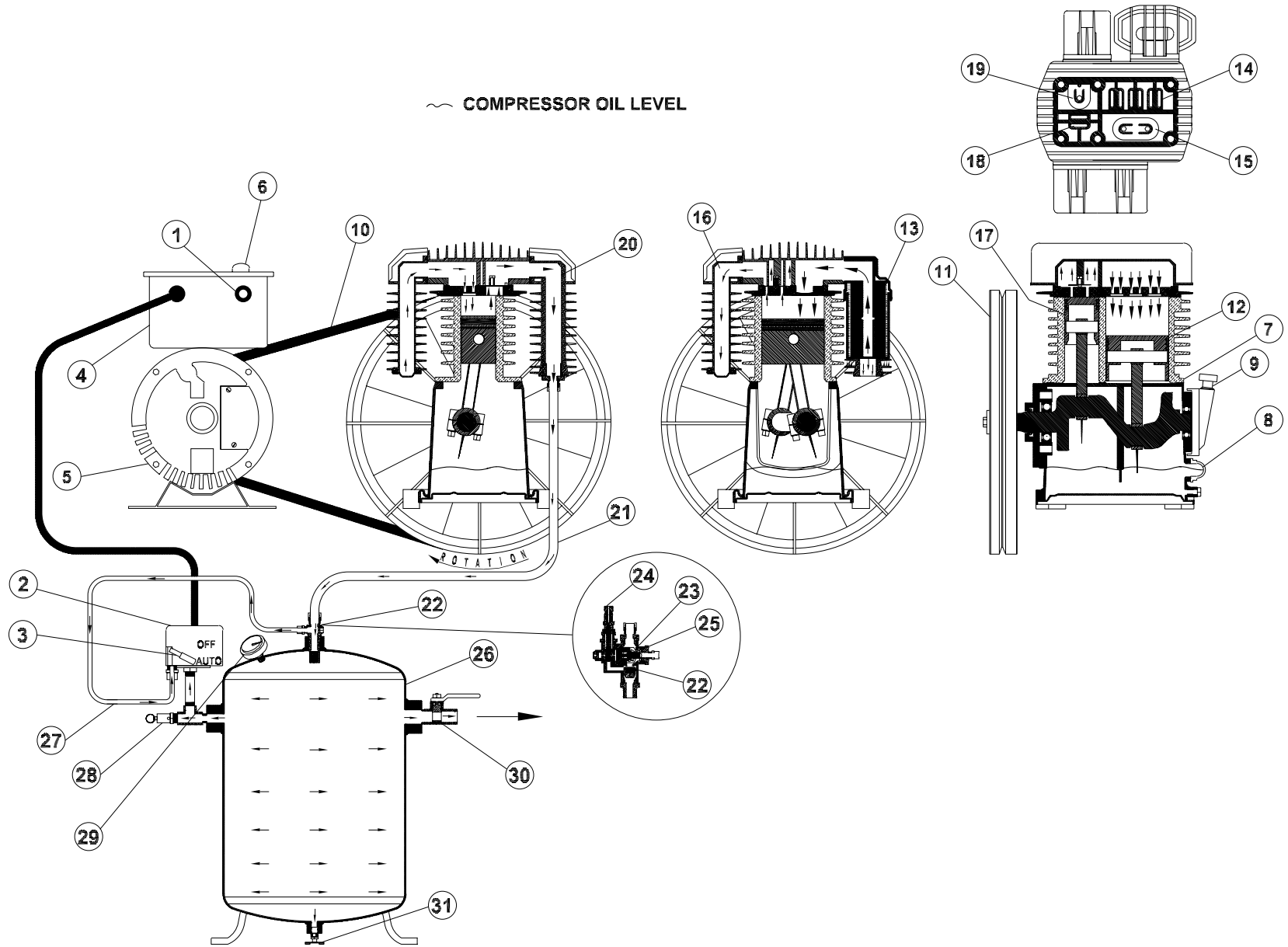
WIRING CHANGE DUE TO SWITCH

SPECIFICATIONS

MODEL NUMBER	AES-20315-120HM	AES-23315-120HM	AES-46310-120HM
MOTOR:			
Horsepower	15HP	15HP	15HP
Voltage	200V	230V	460V
Amperage	44.0A	38.0A	19.0A
HZ	60	60	60
Phase	3	3	3
RPM	1750	1750	1750
Compressor Pump:			
Number of Cylinders	3		
Compression Stages	2		
First Stage Bore	3.93		
Second Stage Bore	4.72		
Stroke	3.15		
RPM	1050		
Flywheel	16.5"		
Lubrication	Splash		
Oil Capacity	160 oz.		
Oil Type	30 W Non Detergent		
Crankcase	Cast Iron		
Bearings	Ball		
Cylinder	Cast Iron		
Valves	Reed		
Head	Cast Iron		
Filter	Canister		
AIR TANK:			
Capacity	120 gallons		
PERFORMANCE:			
CFM Air Displacement	63.8		
CFM @ 40 PSI	49.4		
CFM @ 100 PSI	48.0		
CFM @ 175 PSI	46.5		
Maximum Pressure	175 PSI		
Pump-up Time: 0-175 PSI	4 minutes and 1 seconds		
Recovery Time: 145-175 PSI	43 seconds		
WEIGHT:			
Net	875 lbs		
Shipping	935 lbs		
DIMENSIONS:			
Basic L x W x H	74" x 26.5" x 58"		
Shipping L x W x H	80.5" x 37.5" x 58"		

FLOW CHART

~ COMPRESSOR OIL LEVEL



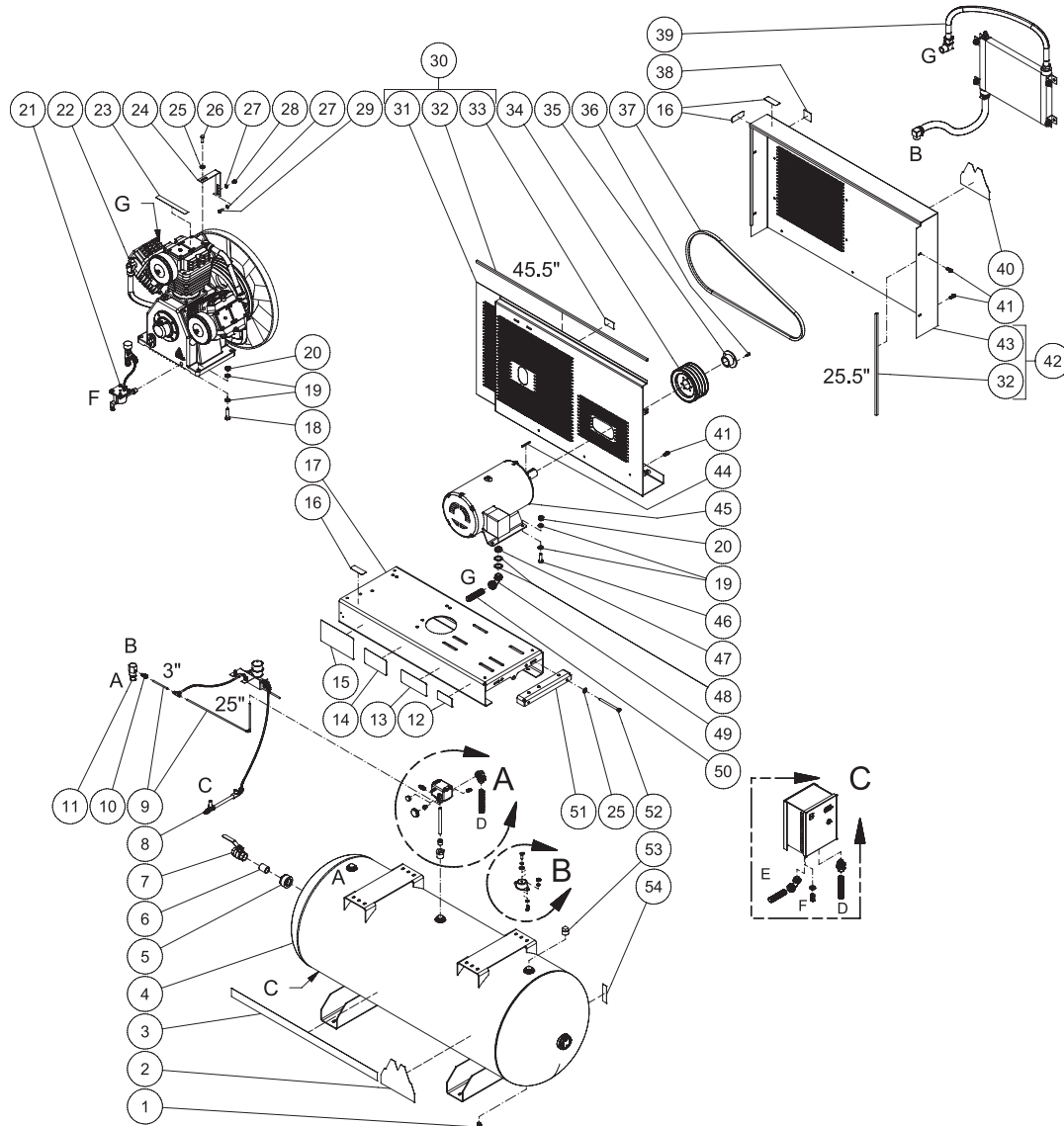
OMAC0061A-051399-RD

GENERAL THEORY OF OPERATION

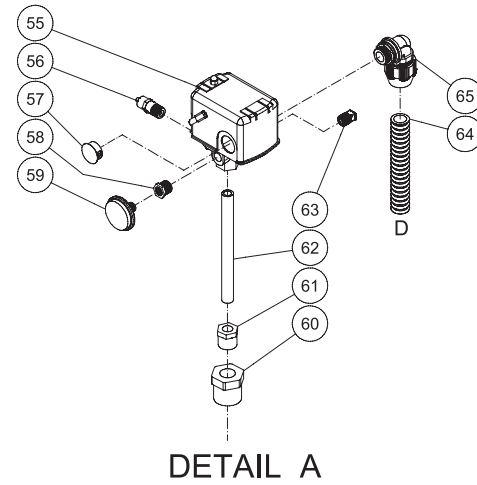
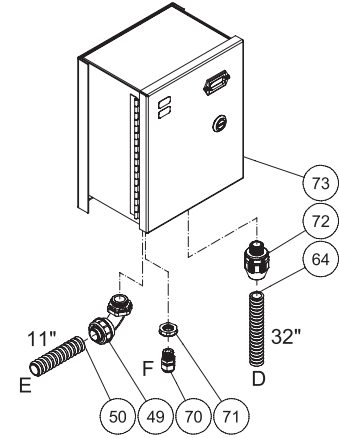
1. The POWER SUPPLY (1) sends the electrical supply to the PRESSURE SWITCH (2). When the PRESSURE SWITCH LEVER (3) is in the "AUTO" position, power is supplied to the CONTACTOR (4) which starts the ELECTRIC MOTOR (5) which is protected from electrical overloads by the MANUAL RESET BUTTON (6).
2. The COMPRESSOR PUMP (7) is lubricated by oil. The oil level should be checked before each use by viewing the COMPRESSOR PUMP OIL SIGHTGLASS (8). If the oil level is low, add SAE-30W non-detergent oil to the COMPRESSOR PUMP OIL FILL PORT (9).
3. When the unit is operating, the V-BELT (10) turns the COMPRESSOR PUMP FLYWHEEL (11) which rotates the crankshaft and moves the pistons.
4. As the FIRST STAGE PISTON (12) moves down, air is drawn in through the INLET AIR FILTER (13). Then through the FIRST STAGE INLET REED VALVE (14) and into the first stage piston chamber. At the same time, the FIRST STAGE OUTLET REED VALVE (15) is closed. This allows air to fill the first stage piston chamber.
5. As the FIRST STAGE PISTON (12) moves upward, the FIRST STAGE INLET REED VALVE (14) closes. The FIRST STAGE OUTLET REED VALVE (15) opens allowing the compressed air to flow into the INTERCOOLER (16) and into the second stage.
6. As the SECOND STAGE PISTON (17) moves down, the first stage compressed air is drawn in through the SECOND STAGE INLET REED VALVES (18) and into the second stage piston chamber. At the same time, the SECOND STAGE OUTLET REED VALVES (19) is closed.
7. As the SECOND STAGE PISTON (17) moves upward, the SECOND STAGE INLET REED VALVES (18) closes. The SECOND STAGE OUTLET REED VALVES (19) opens allowing the compressed air to flow into the AFTERCOOLER (20) and DISCHARGE LINE (21).
- 8a. STANDARD START/STOP FEATURE:
 1. The compressed air opens the CHECK VALVE (22) and moves into the AIR TANK (26). When the pressure in the AIR TANK (26) reaches the maximum pressure setting of the PRESSURE SWITCH (2), the ELECTRIC MOTOR (5) stops and the CHECK VALVE (22) will close.
 2. The pressurized air remaining in the PUMP DISCHARGE LINE (21) exits through the PRESSURE SWITCH BLEND-OFF LINE (27) so the ELECTRIC MOTOR (5) can restart under a no-load condition.
- 8b. OPTIONAL DUAL CONTROL FEATURE:
 1. This feature consists of a PILOT CONTROL VALVE (23) which has an ADJUSTING KNOB (24) with two positions.
 - a. Start/Stop Position: Turn the ADJUSTING KNOB (24) completely clockwise to the closed position. Air compressor will operate as described in the Start/Stop Feature as explained above.
 - b. Constant Run Position: Turn the ADJUSTING KNOB (24) completely counterclockwise to the open position. The compressed air opens the CHECK VALVE (22) and moves into the AIR TANK (26). When the pressure in the AIR TANK (26) reaches the maximum pressure setting of the PILOT CONTROL VALVE (23), the excess air exits the PILOT VALVE MUFFLER (25) and the CHECK VALVE (22) will close. Since the relief setting on the PILOT CONTROL VALVE (23) is lower than the maximum pressure setting on the PRESSURE SWITCH (2) the ELECTRIC MOTOR (5) will continue running. This feature is very useful under low voltage conditions, when motor starting can trip the circuit breaker (fuse).
9. The SAFETY RELIEF VALVE (28) protects the system from any overpressure conditions.
10. The TANK PRESSURE GAUGE (29) indicates tank pressure. The air exits through the OUTLET FITTING (30).
11. The PRESSURE SWITCH LEVER (3) stops the ELECTRIC MOTOR (5) when moved to the "OFF" position.
12. When the PRESSURE SWITCH LEVER (3) is in the "OFF" position, compressed air should be released from the AIR TANK (26) by opening the attached air tool or by pulling on the SAFETY RELIEF VALVE (28). When the TANK PRESSURE GAUGE (29) registers less than 10 PSI, drain the condensation from the AIR TANK (26) by opening the TANK DRAIN (31).

AES 120 GAL HORIZONTAL M SERIES

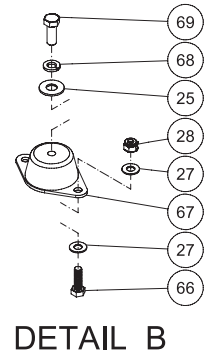
AES 120 HORIZONTAL M SERIES 120516



DETAIL C



DETAIL A

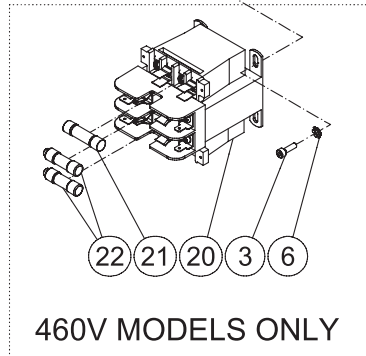
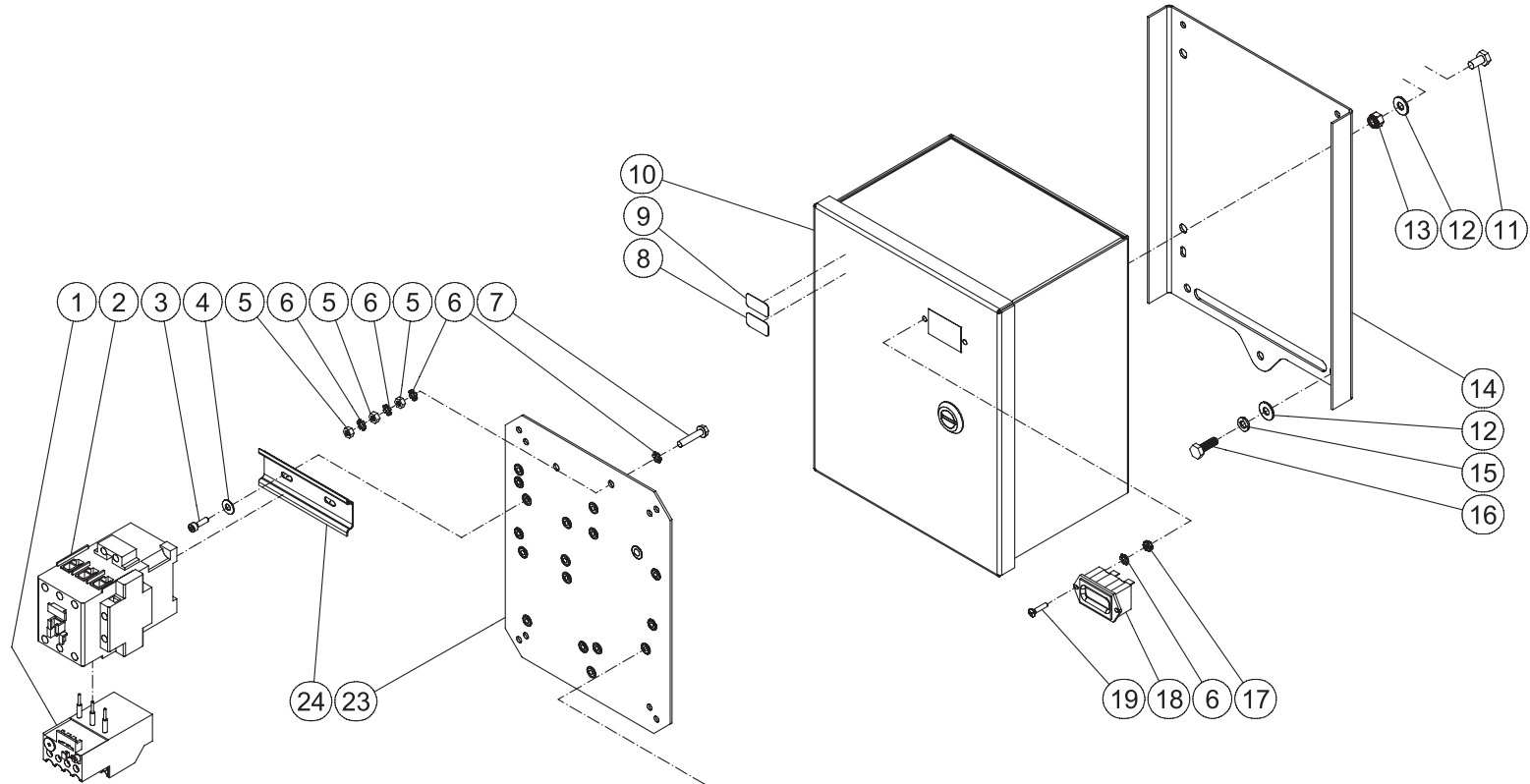


DETAIL B

TANK ASSEMBLY

ITEM	DESCRIPTION	PART #	QTY	ITEM	DESCRIPTION	PART #	QTY
1	PETCOCK	23-0312	1	39	AFTERCOOLER OPTION	IX-0004	1
2	DECAL - #5M	34-2171	1	40	DECAL - Mi-T-M	34-2170	1
3	DECAL Mi-T-M STRIPE	34-2282	1	41	BOLT	27-9524	10
4	TANK ASSEMBLY	12-0201A01	1	42	BELTGUARD FRONT ASSEMBLY (INC.32, 43)	854-0101	1
5	REDUCER	24-0233	1	43	BELTGUARD FRONT (SEE 854-0099)	N/A	1
6	NIPPLE	24-0200	1	44	KEY	N/A	1
7	BALL VALVE	22-0344	1	45	MOTOR (AES-20315)	2-0152	1
8	TANK DRAIN OPTION	IX-0032	1	-	MOTOR (AES-23315, AES-46315)	2-0153	
9	COPPER TUBING *(THREE FEET REQUIRED)	54-0034	1	46	BOLT	27-0218	4
10	ADAPTER	23-0328	1	47	ELECTRICAL LOCKNUT	32-0292	1
11	CHECK VALVE	22-0436	1	48	REDUCING WASHER	32-0603	2
12	DECAL- SILVER STICKER	N/A	1	49	CONDUIT ELBOW	32-0487	2
13	DECAL - OPERATING INSTRUCTIONS (SEE 71-0083)	N/A	1	50	CONDUIT *(ONE FOOT REQUIRED)	32-0486	1
14	DECAL-IND A/C MAINTENANCE (SEE 71-0083)	N/A	1	51	BELT TENSIONER PLATE	20-1030A01	1
15	DECAL - CAUTION/WARNING/DANGER (SEE 71-0083)	N/A	1	52	BOLT	27-0133	2
16	DECAL - RISK OF BURNS (SEE 71-0083)	N/A	3	53	PLUG	24-0219	1
17	BASEPLATE	5-0282A01	1	54	DECAL - TANK DRAIN (SEE 71-0083)	N/A	2
18	BOLT	27-0220	4	55	PRESSURE SWITCH	22-0416	1
19	WASHER	28-0006	16	56	PRESSURE RELIEF VALVE	22-0267	1
20	NUT	30-0163	8	57	PLUG	39-0014	1
21	LOW OIL SHUTDOWN OPTION	IX-0036	1	58	REDUCER	23-0111	1
22	PUMP	3-0314	1	59	PRESSURE GAUGE	22-0271	1
23	DECAL - CHECK OIL	N/A	1	60	REDUCER	23-0226	1
24	BELTGUARD STABILIZER	20-1031A01	2	61	REDUCER	23-0056	1
25	WASHER	28-0023	8	62	NIPPLE	24-0315	1
26	BOLT	27-8061	2	63	PLUG	24-0009	1
27	WASHER	28-0003	20	64	CONDUIT FLEX *(THREE FEET REQUIRED)	32-0253	1
28	LOCKNUT	30-0157	10	65	CONDUIT ELBOW	32-0254	1
29	BOLT	27-0066	2	66	BOLT	27-0067	8
30	BELTGUARD BACK ASSEMBLY (INC. 31-33)	854-0100	1	67	ISOLATOR	14-0109	4
31	BELTGUARD BACK	N/A	1	68	LOCKWASHER	29-0008	4
32	EDGING *(NINE FEET REQUIRED)	33-0020	1	69	BOLT	27-0117	4
33	DECAL - BELTGUARD IN PLACE (SEE 71-0083)	N/A	1	70	STRAIN RELIEF	32-0586	1
34	SHEAVE	10-0147	1	71	ELECTRICAL LOCKNUT	32-0587	1
35	BUSHING	9-0091	1	72	CONDUIT FITTING	32-0255	1
36	BOLT	27-0015	3	73	CONTROL BOX - SIMPLEX	N/A SEP	1
37	BELT	11-0080	4	-	DECAL SET - SIMPLEX	71-0083	1
38	DECAL - ROTATION DIRECTION (SEE 71-0083)	N/A	1	*MUST ORDER IN ONE FOOT LENGTHS			

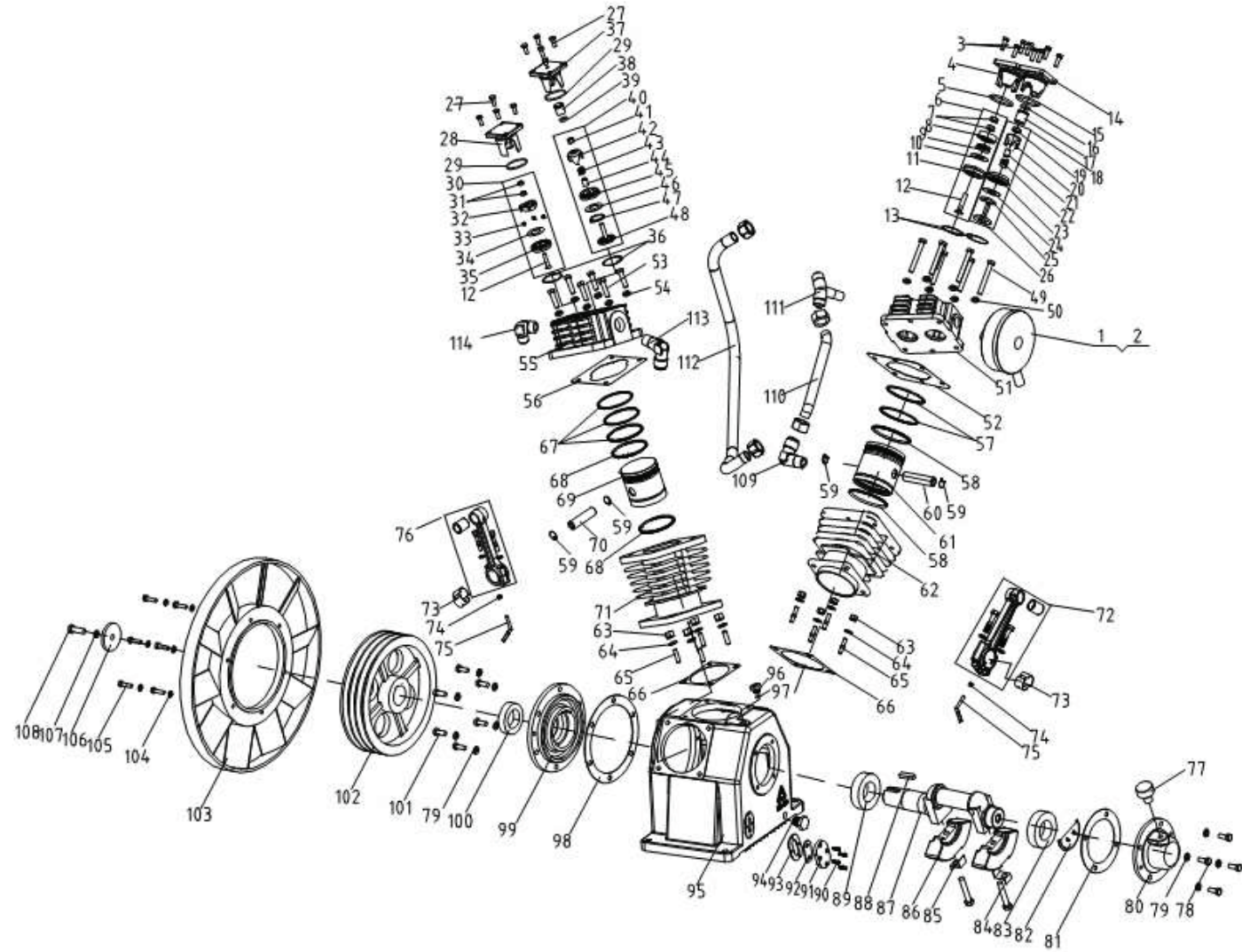
CONTROL BOX (SIMPLEX)



CONTROL BOX - SIMPLEX 112116 RJA

CONTROL BOX - SIMPLEX 112116 RJA			
CONTROL BOX (SIMPLEX)			
ITEM	DESCRIPTION	PART #	QTY
1	OVERLOAD RELAY (ACS-23105, ACS-20375	32-1076	1
-	OVERLOAD RELAY (ACS-20305, ACS-23375, AES-46315	32-1075	1
-	OVERLOAD RELAY (ACS-23305, ADS-46310	32-0482	1
-	OVERLOAD RELAY (ACS-46305, ACS-46375	32-0481	1
-	OVERLOAD RELAY (ACS-23175, ADS-20310, AES-23315	32-0485	1
-	OVERLOAD RELAY (ADS-23110, AES-20315)	32-0490	1
-	OVERLOAD RELAY (ADS-23310)	32-1074	1
2	CONTACTOR (ACS-23105, ACS-20375, ADS-23310)	32-0945	1
-	CONTACTOR (ACS-20305, ACS-23375)	32-0235	1
-	CONTACTOR (ACS-23305)	32-0237	1
-	CONTACTOR (ACS-46305, ACS-46375, ADS-46310)	32-0327	1
-	CONTACTOR (ACS-23175, ADS-20310, AES-23315)	32-0232	1
-	CONTACTOR (ADS-23110, AES-20315)	32-0700	1
-	CONTACTOR (AES-46315)	32-0329	1
3	SCREW	27-8835	4
4	WASHER	28-0001	2
5	NUT	30-6001	3
6	STAR WASHER	28-1009	8
7	BOLT	27-8807	1
8	DECAL - 3 PHASE (SEE 71-0085)	N/A	1
9	DECAL - 230 VOLT (SEE 71-0085)	N/A	1
-	DECAL - 208V	N/A	1
-	DECAL - 460V	N/A	1
10	ELECTRIC BOX - STEEL - 8X10X6	32-1003	1
11	BOLT	27-0014	4
12	WASHER	28-0002	7
13	LOCKNUT	30-0155	4
14	MOUNTING PLATE	20-1037A01	1
15	LOCKWASHER	29-0006	3
16	BOLT	27-0015	3
17	NUT	30-0052	2
18	HOUR METER	32-0668	1
19	SCREW	27-8881	2
20	TRANSFORMER	32-0313	1
21	FUSE	32-0323	1
22	FUSE	32-0467	2
23	CONTROL PANEL	20-0723A06	1
24	DIN RAIL *(ONE FOOT REQUIRED)	32-0316	1
*MUST ORDER IN ONE FOOT LENGTHS			

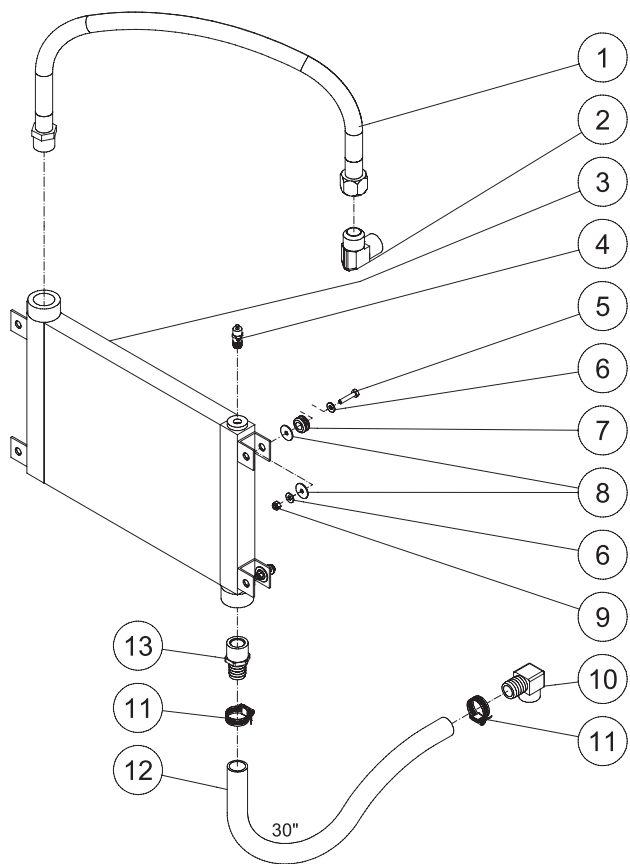
COMPRESSOR PUMP (3-0314)



3-0314 010714 JDK

				3-0314 011714 JDK			
PUMP ASSEMBLY							
ITEM	DESCRIPTION	Mi-T-M #	QTY	ITEM	DESCRIPTION	Mi-T-M #	QTY
1	AIR STRAINER ASSEMBLY	19-0259	2	59	SNAP RING (1ST)	N/A	6
2	AIR STRAINER ELEMENT (NOT SHOWN)	19-0260	2	60	PISTON PIN (1ST)	N/A	2
3	BOLT	N/A	16	61	PISTON (1ST)	N/A	2
4	PUSH COVER (1ST)	N/A	2	62	CYLINDER (1ST)	N/A	2
5	O-RING (OUTLET VALVE-1ST)	25-0614	2	63	NUT	N/A	12
6	OUTLET VALVE ASSEMBLY (1ST)	8-0603	2	64	WASHER	N/A	12
7	NUT (OUTLET VALVE-1ST) (SEE KIT 8-0603)	SEE KIT	4	65	BOLT	N/A	12
8	RECEIVER (1ST) (SEE KIT 8-0603)	SEE KIT	2	66	GASKET (SEE KIT 70-0532)	26-0342	3
9	SPRING (1ST) (SEE KIT 8-0603)	SEE KIT	6	67	COMPRESSION RING (2ND)	N/A	3
10	PLATE (1ST) (SEE KIT 8-0603)	SEE KIT	2	68	OIL CONTROL RING (2ND)	N/A	2
11	SEAT (1ST) (SEE KIT 8-0603)	SEE KIT	2	69	PISTON (2ND)	N/A	1
12	BOLT (1ST) (SEE KIT 8-0603 OR 8-0605)	SEE KIT	3	70	PISTON PIN (2ND)	N/A	1
13	VALVE GASKET (1ST) (SEE KIT 70-0532)	26-0340	4	71	CYLINDER (2ND)	N/A	1
14	PUSH COVER (1ST)	N/A	2	72	CONNECTING ROD ASSEMBLY (1ST)	N/A	2
15	O-RING (OUTLET VALVE-1ST)	25-0614	2	73	PIN (1ST)	N/A	6
16	O-RING (UNLOADER-1ST)	25-0615	2	74	NUT	N/A	3
17	PISTON (1ST)	46-1350	2	75	OIL SPLASH DIPPER	N/A	3
18	INLET VALVE ASSEMBLY-1ST	8-0602	2	76	CONNECTING ROD ASSEMBLY (2ND)	N/A	1
19	LOCKNUT (INLET VALVE-1ST) (SEE KIT 8-0602)	SEE KIT	2	77	BREATHER ASSEMBLY	46-1345	1
20	UNLOADER FORK (1ST) (SEE KIT 8-0602)	SEE KIT	2	78	BOLT	N/A	4
21	UNLOADER FORK GUIDE (1ST) (SEE KIT 8-0602)	SEE KIT	2	79	WASHER	N/A	10
22	SPRING (1ST) (SEE KIT 8-0602)	SEE KIT	2	80	COVER	N/A	1
23	SEAT (1ST) (SEE KIT 8-0602)	SEE KIT	2	81	GASKET (SEE KIT 70-0532)	26-0343	1
24	PLATE (1ST) (SEE KIT 8-0602)	SEE KIT	2	82	OIL BAFFLE	N/A	1
25	SPRING (1ST) (SEE KIT 8-0602)	SEE KIT	2	83	BEARING	N/A	1
26	RECEIVER (1ST) (SEE KIT 8-0602)	SEE KIT	2	84	BOLT	N/A	2
27	PUSH COVER BOLT	N/A	8	85	LOCKWASHER	N/A	2
28	PUSH COVER (2ND)	N/A	1	86	COUNTERWEIGHT	N/A	2
29	O-RING (OUTLET VALVE-2ND)	25-0608	2	87	CRANKSHAFT	N/A	1
30	OUTLET VALVE ASSEMBLY (2ND) (SEE KIT 8-0605)	8-0605	1	88	PIN	N/A	1
31	NUT (OUTLET VALVE-2ND) (SEE KIT 8-0605)	SEE KIT	2	89	BEARING	N/A	1
32	RECEIVER (2ND) (SEE KIT 8-0605)	SEE KIT	1	90	BOLT	27-8873	4
33	SPRING (2ND) (SEE KIT 8-0605)	SEE KIT	1	91	PUSH COVER	46-1562	1
34	PLATE (2ND) (SEE KIT 8-0605)	SEE KIT	1	92	SIGHT GLASS ASSEMBLY	46-1563	1
35	SEAT (2ND) (SEE KIT 8-0605)	SEE KIT	1	93	GASKET	26-0394	1
36	GASKET (2ND) (SEE KIT 70-0532)	26-0333	2	94	PLUG	N/A	1
37	PUSH COVER (2ND)	N/A	1	95	CRANKCASE	N/A	1
38	PISTON (2ND)	46-1346	1	96	CAP	N/A	1
39	O-RING (UNLOADER-2ND)	25-0610	1	97	O-RING	N/A	1
40	INLET VALVE ASSEMBLY (2ND)	8-0604	1	98	GASKET (SEE KIT 70-0532)	26-0344	1
41	LOCKNUT (INLET VALVE-2ND) (SEE KIT 8-0604)	SEE KIT	1	99	COVER	N/A	1
42	UNLOADER FORK (2ND) (SEE KIT 8-0604)	SEE KIT	1	100	OIL SEAL	N/A	1
43	SPRING (2ND) (SEE KIT 8-0604)	SEE KIT	1	101	BOLT	N/A	6
44	UNLOADER FORK GUIDE (2ND) (SEE KIT 8-0604)	SEE KIT	1	102	PULLEY	N/A	1
45	SEAT (2ND) (SEE KIT 8-0604)	SEE KIT	1	103	FAN	N/A	1
46	PLATE (2ND) (SEE KIT 8-0604)	SEE KIT	1	104	WASHER	N/A	6
47	SPRING (2ND) (SEE KIT 8-0604)	SEE KIT	1	105	BOLT	N/A	6
48	RECEIVER (2ND) (SEE KIT 8-0604)	SEE KIT	1	106	WASHER	N/A	1
49	BOLT (1ST)	N/A	12	107	WASHER	N/A	1
50	WASHER	N/A	12	108	BOLT	N/A	1
51	CYLINDER HEAD (1ST)	N/A	2	109	JOINT	N/A	1
52	GASKET (1ST) (SEE KIT 70-0532)	N/A	2	110	PIPING ASSEMBLY (LONG), 1ST	N/A	1
53	BOLT (2ND)	N/A	6	111	JOINT	N/A	1
54	WASHER	N/A	6	112	PIPING ASSEMBLY (LONG), 2ND	N/A	1
55	CYLINDER HEAD (2ND)	N/A	1	113	JOINT	N/A	1
56	GASKET (2ND) (SEE KIT 70-0532)	26-0335	1	114	JOINT	N/A	1
57	COMPRESSION RING (1ST)	N/A	4	-	GASKET KIT (INCLUDES #'S 13, 36, 52, 56, 66, 81, 98)	70-0532	1
58	OIL CONTROL RING (1ST)	N/A	4				

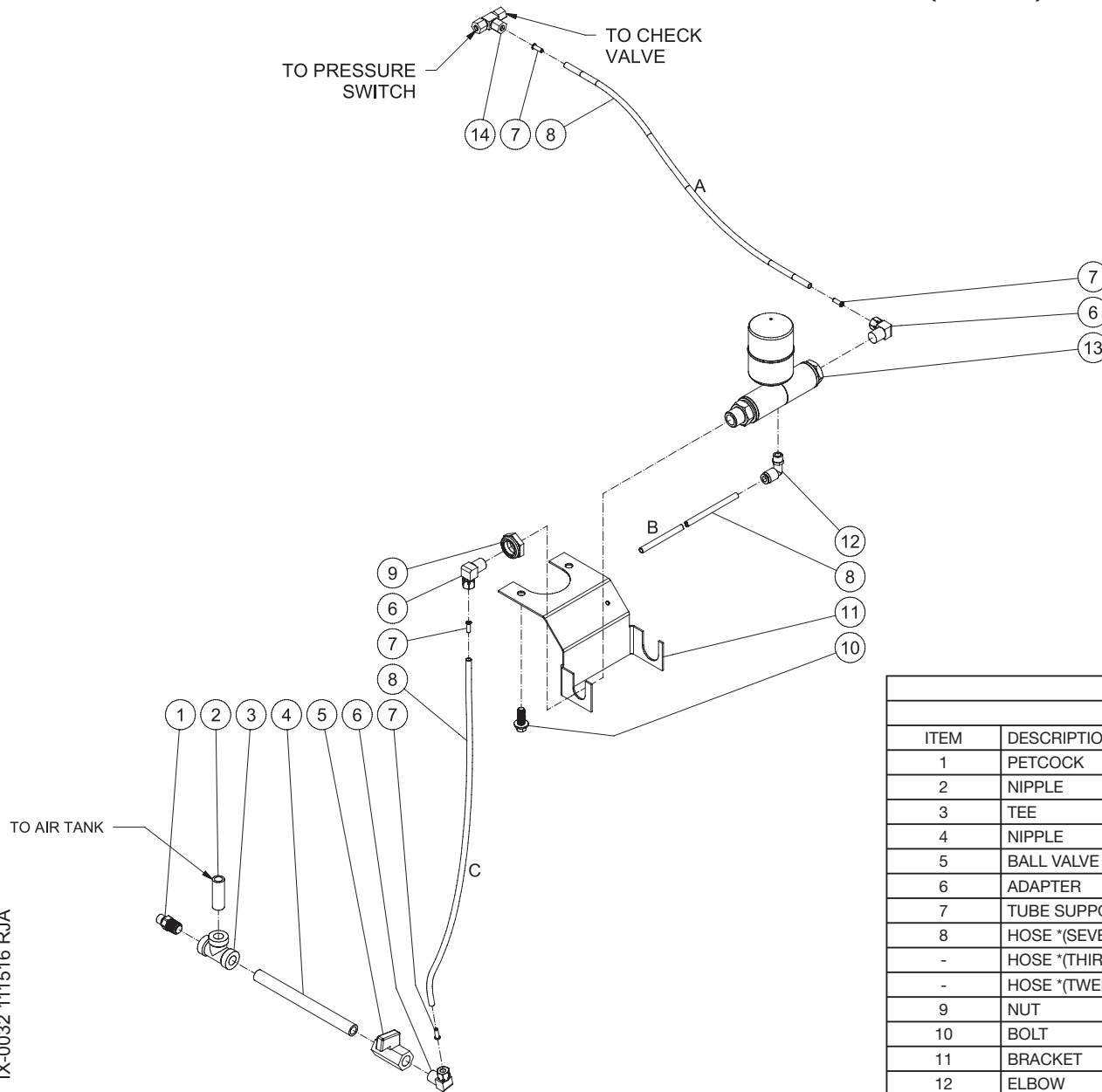
AFTERCOOLER (IX-0004)



IX-0004 111516 RJA			
AFTERCOOLER			
ITEM	DESCRIPTION	PART #	QTY
1	HOSE	15-0281	1
2	ELBOW	23-0471	1
3	AFTERCOOLER	33-0488	1
4	PRESSURE RELIEF VALVE	22-0267	1
5	BOLT	27-0017	4
6	WASHER	28-0002	8
7	GROMMET	33-0001	4
8	WASHER	28-1064	8
9	LOCKNUT	30-0155	4
10	HOSE BARB	23-0483	1
11	HOSE CLAMP	42-0018	2
12	HOSE *(THREE FEET REQUIRED)	15-0290	1
13	HOSE BARB	23-0091	1
*MUST ORDER IN ONE FOOT LENGTHS			

IX-0004 111516 RJA

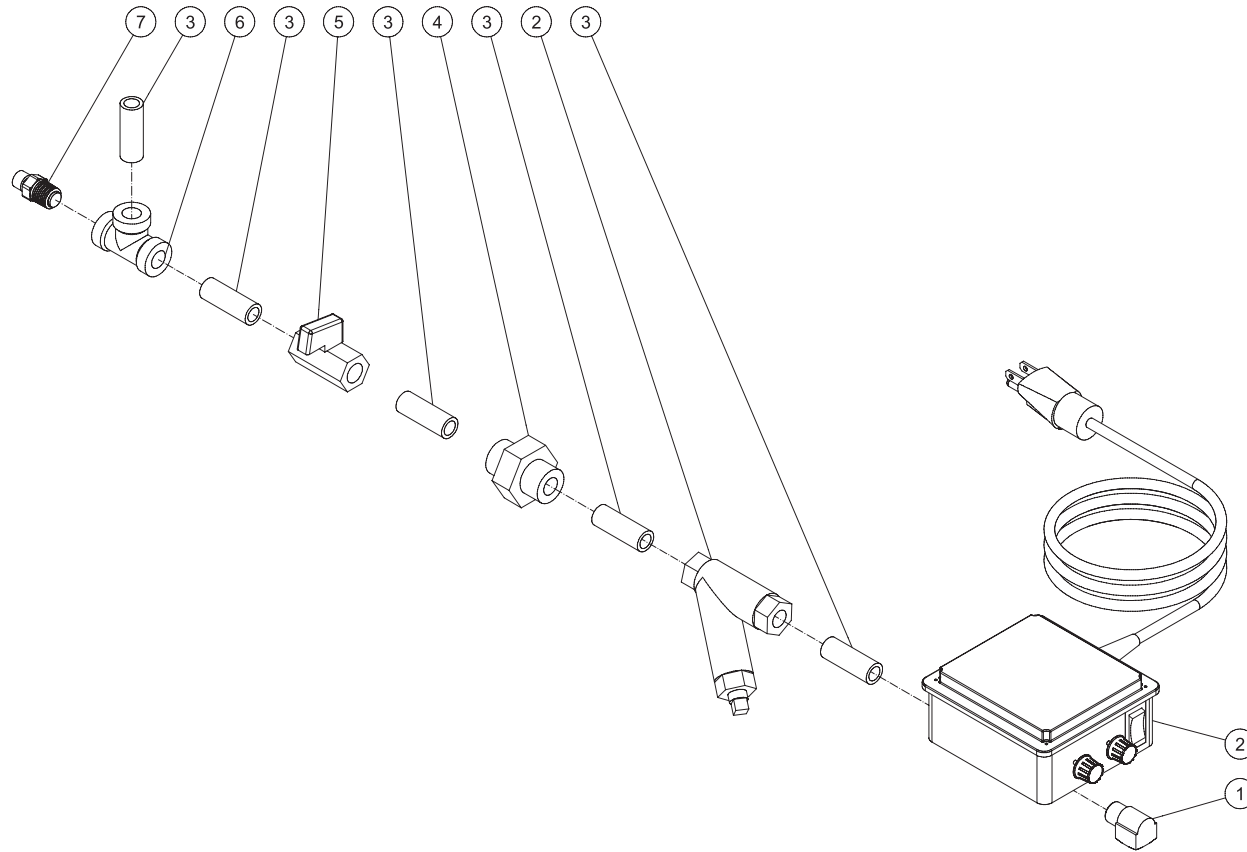
TANK DRAIN OPTION (IX-0032)



IX-0032 111516 RJA

IX-0032 111516			
TANK DRAIN OPTION			
ITEM	DESCRIPTION	PART #	QTY
1	PETCOCK	23-0312	1
2	NIPPLE	24-0313	1
3	TEE	23-0067	1
4	NIPPLE	24-0315	1
5	BALL VALVE	22-0449	1
6	ADAPTER	23-0417	3
7	TUBE SUPPORT	23-0486	4
8	HOSE *(SEVENTEEN FEET REQUIRED TUBE A)	15-0240	1
-	HOSE *(THIRTY FEET REQUIRED TUBE B)	15-0240	1
-	HOSE *(TWENTY-EIGHT FEET REQUIRED TUBE C)	15-0240	1
9	NUT	30-0210	1
10	BOLT	27-9524	2
11	BRACKET	13-0197A01	1
12	ELBOW	55-0104	1
13	PNEUMATIC DRAIN	22-0448	1
14	TEE	23-0476	1
*MUST ORDER IN ONE FOOT LENGTHS			

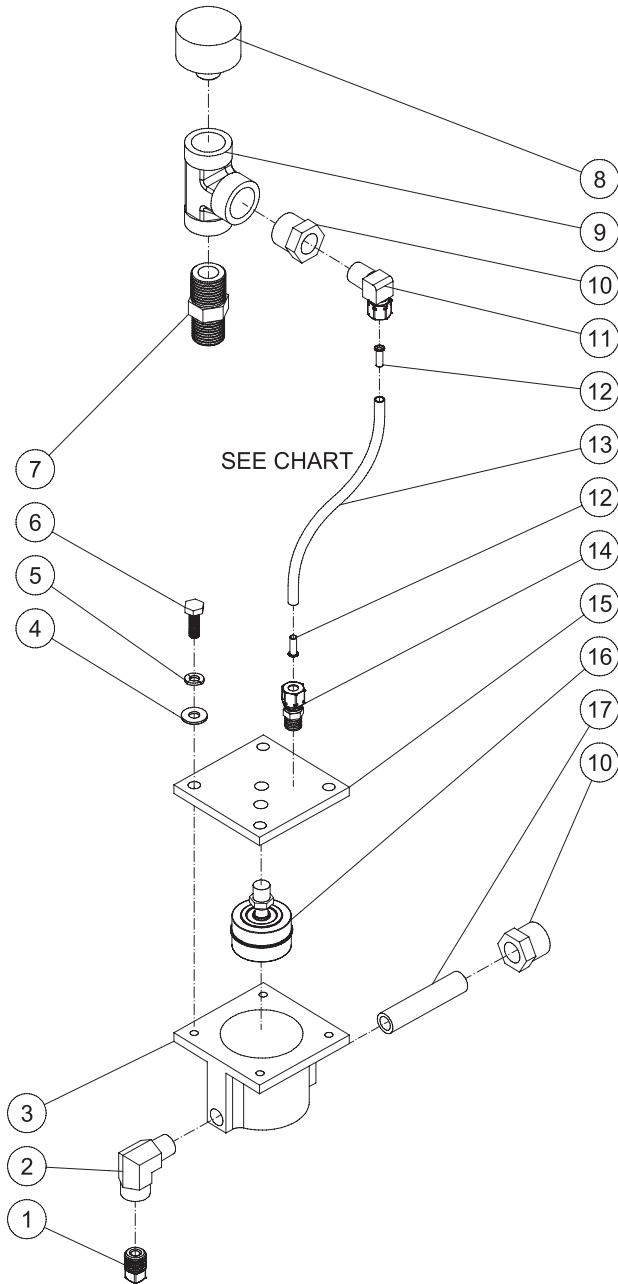
ELECTRIC TANK DRAIN (IX-0006)



IX-0006 112816 JJR			
ELECTRIC TANK DRAIN			
ITEM	DESCRIPTION	PART #	QTY
1	ELBOW	23-0014	1
2	ELECTRIC DRAIN	AT-4012-J	1
3	NIPPLE	24-0313	5
4	UNION	24-0317	1
5	BALL VALVE	22-0449	1
6	TEE	23-0067	1
7	PETCOCK	23-0312	1

IX-0006 112816 JJR

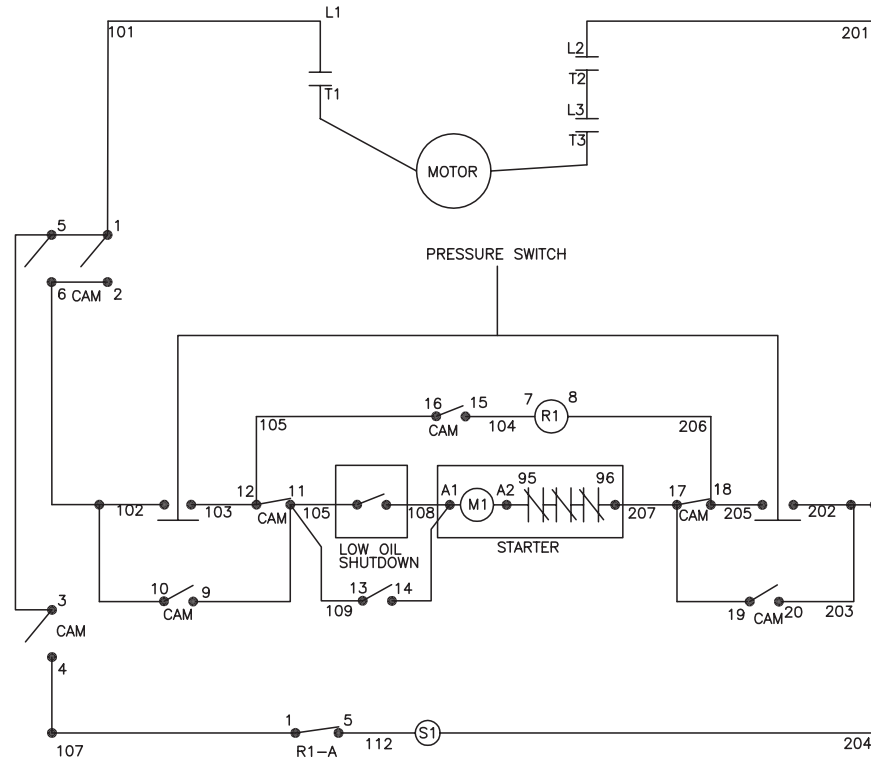
LOW OIL SHUTDOWN (IX-0036)



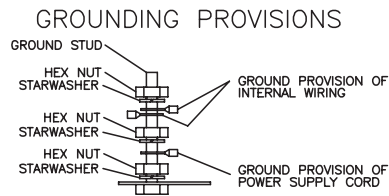
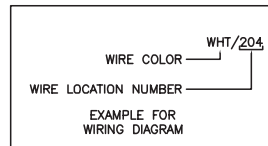
IX-0036 112216 RJA			
LOW OIL SHUTDOWN			
ITEM	DESCRIPTION	PART #	QTY
1	PLUG	24-0009	1
2	ELBOW	24-0021	1
3	OIL CANISTER	56-0062	1
4	WASHER	28-0002	4
5	LOCKWASHER	29-0006	4
6	BOLT	27-0015	4
7	NIPPLE	24-0031	1
8	BREATHER (W/ PUMP)	N/A	1
9	TEE	24-0055	1
10	REDUCER	24-0053	2
11	ADAPTER	23-0417	1
12	TUBE SUPPORT	23-0486	2
13	HOSE *(EIGHT FEET REQUIRED IF USING 3-0313 PUMP)	15-0240	1
-	HOSE *(NINE FEET REQUIRED IF USING 3-0314 PUMP)	15-0240	1
14	ADAPTER	23-0328	1
15	LID	56-0063	1
16	FLOAT	32-0998	1
17	NIPPLE	24-0314	1
*MUST ORDER IN ONE FOOT LENGTHS			

IX-0036 112216 RJA

WIRING SCHEMATIC (230V SINGLE PHASE) M SERIES (AFTER SERIAL #20107354)

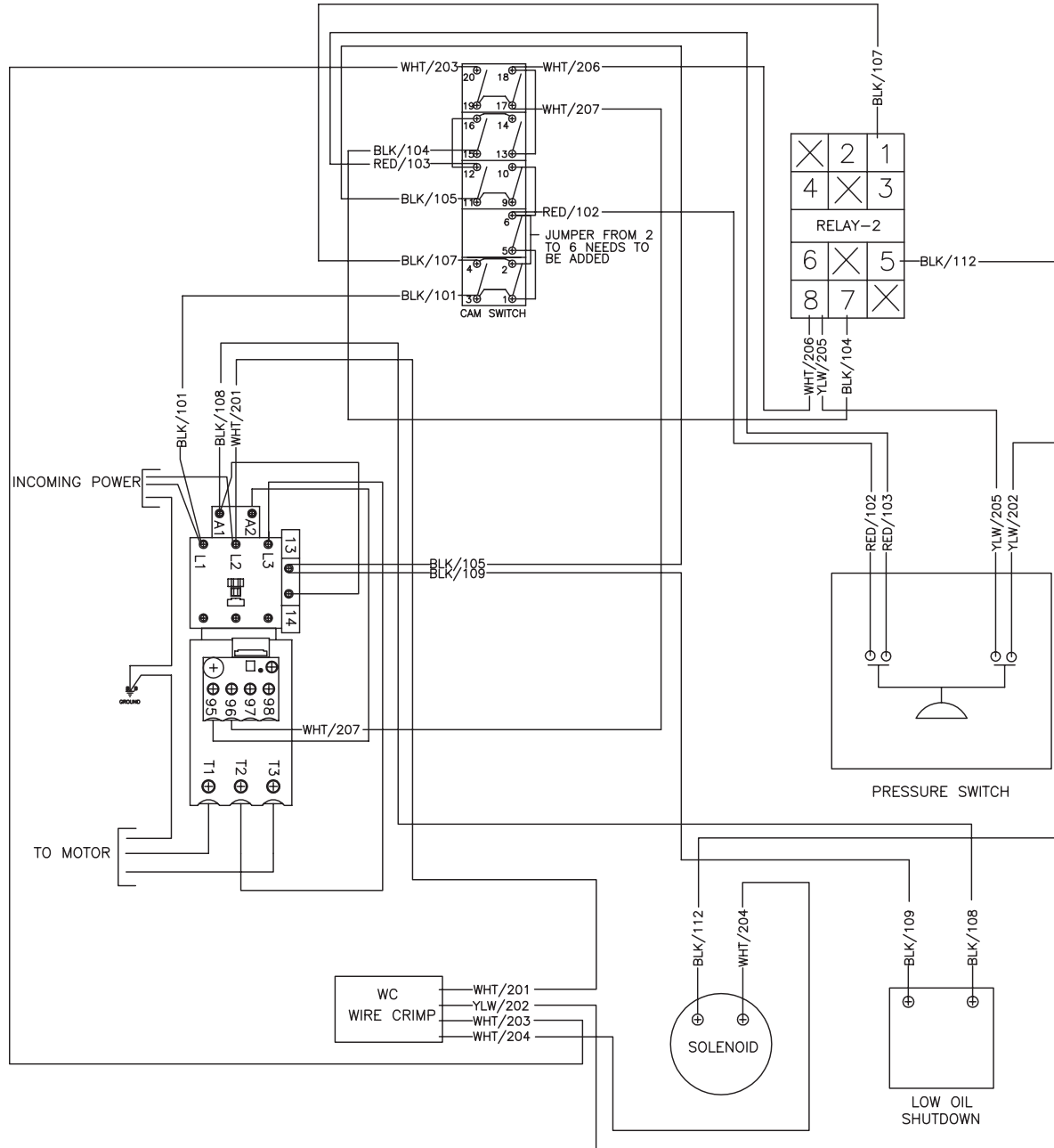


NOTES:
 1) ALL WIRES ARE 16GA UNLESS OTHERWISE SPECIFIED



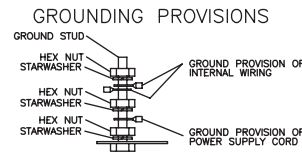
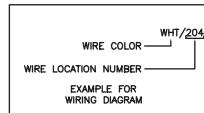
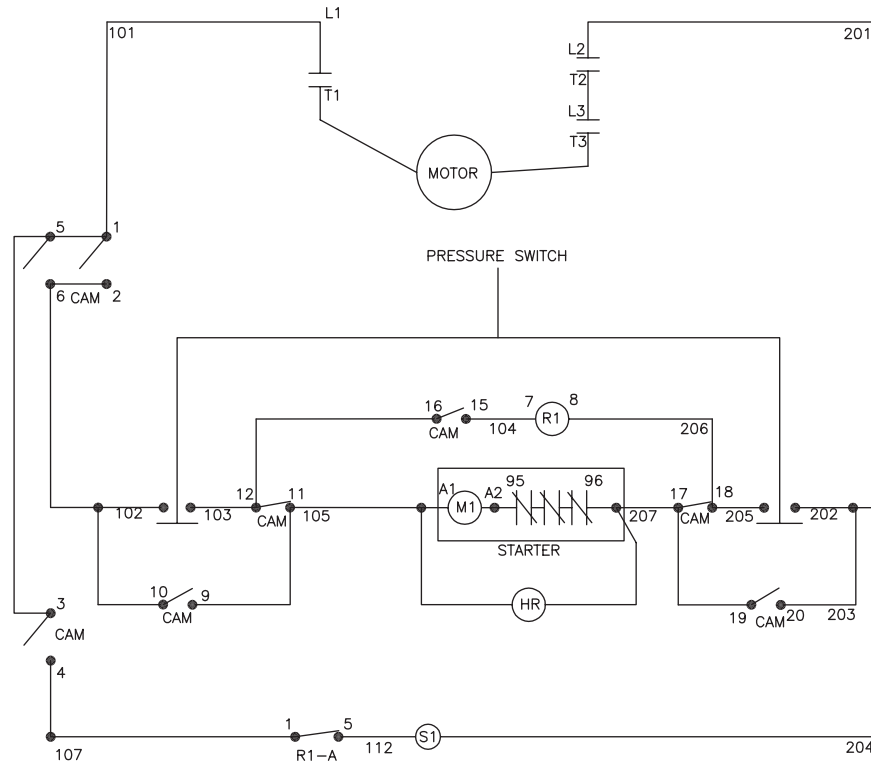
WIRING SCHEMATIC 230V Single Phase 100509

WIRING DIAGRAM (230V SINGLE PHASE) M SERIES (AFTER SERIAL #20107354)



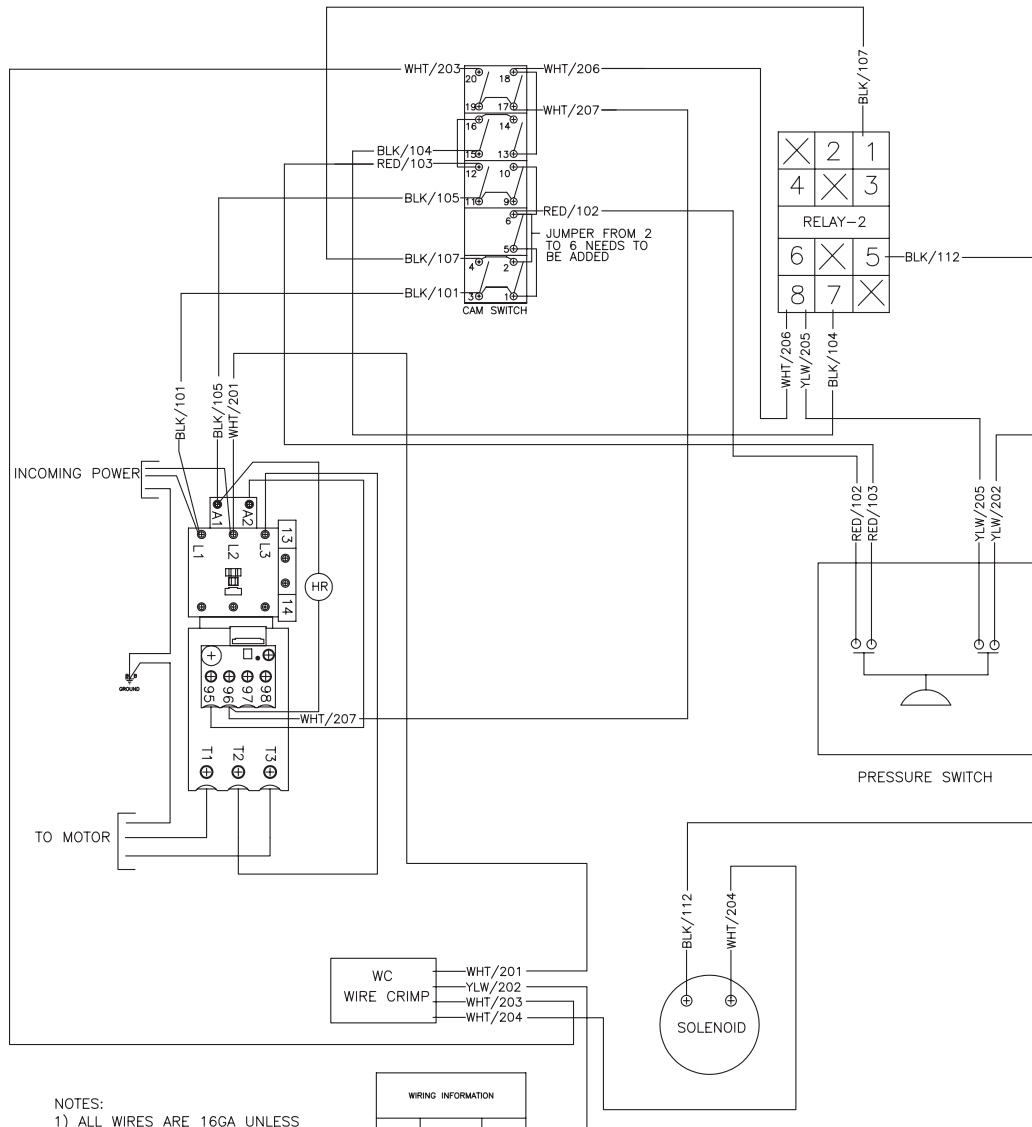
WIRING DIAGRAM 200-230V Single Phase 100509

WIRING SCHEMATIC DUAL CONTROL AND STARTER (230V SINGLE PHASE) (AFTER SERIAL #20107354)



WIRING SCHEMATIC DUAL CONTROL AND STARTER 230V SINGLE PHASE 050411

WIRING DIAGRAM DUAL CONTROL AND STARTER (230V SINGLE PHASE) (AFTER SERIAL #20107354)

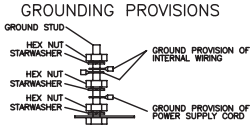
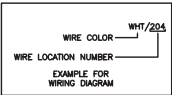
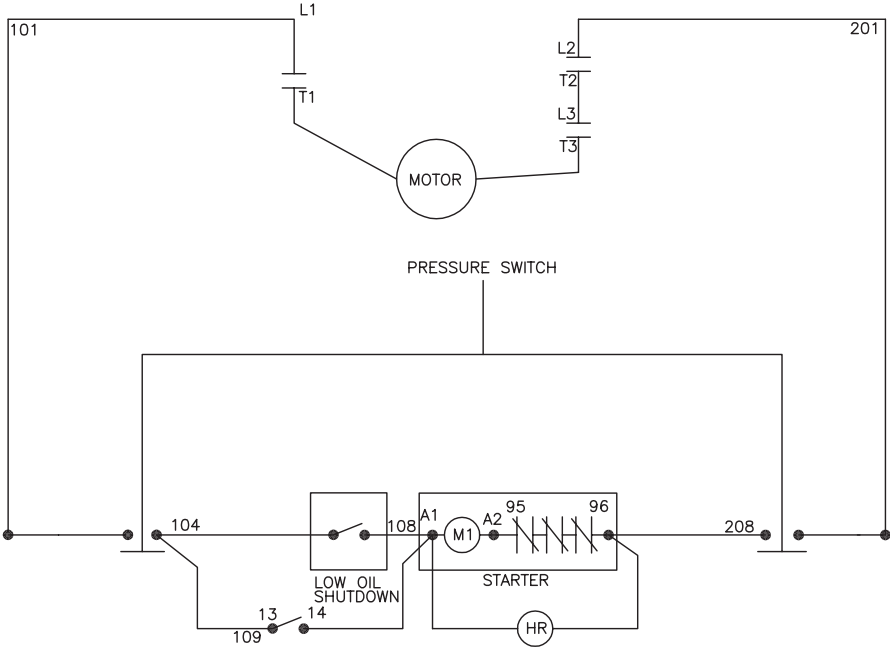


NOTES:
1) ALL WIRES ARE 16GA UNLESS OTHERWISE SPECIFIED

WIRING INFORMATION		
HP	VOLTAGE	WIRE SIZE
5	230	10
7.5	230	8
10	230	8

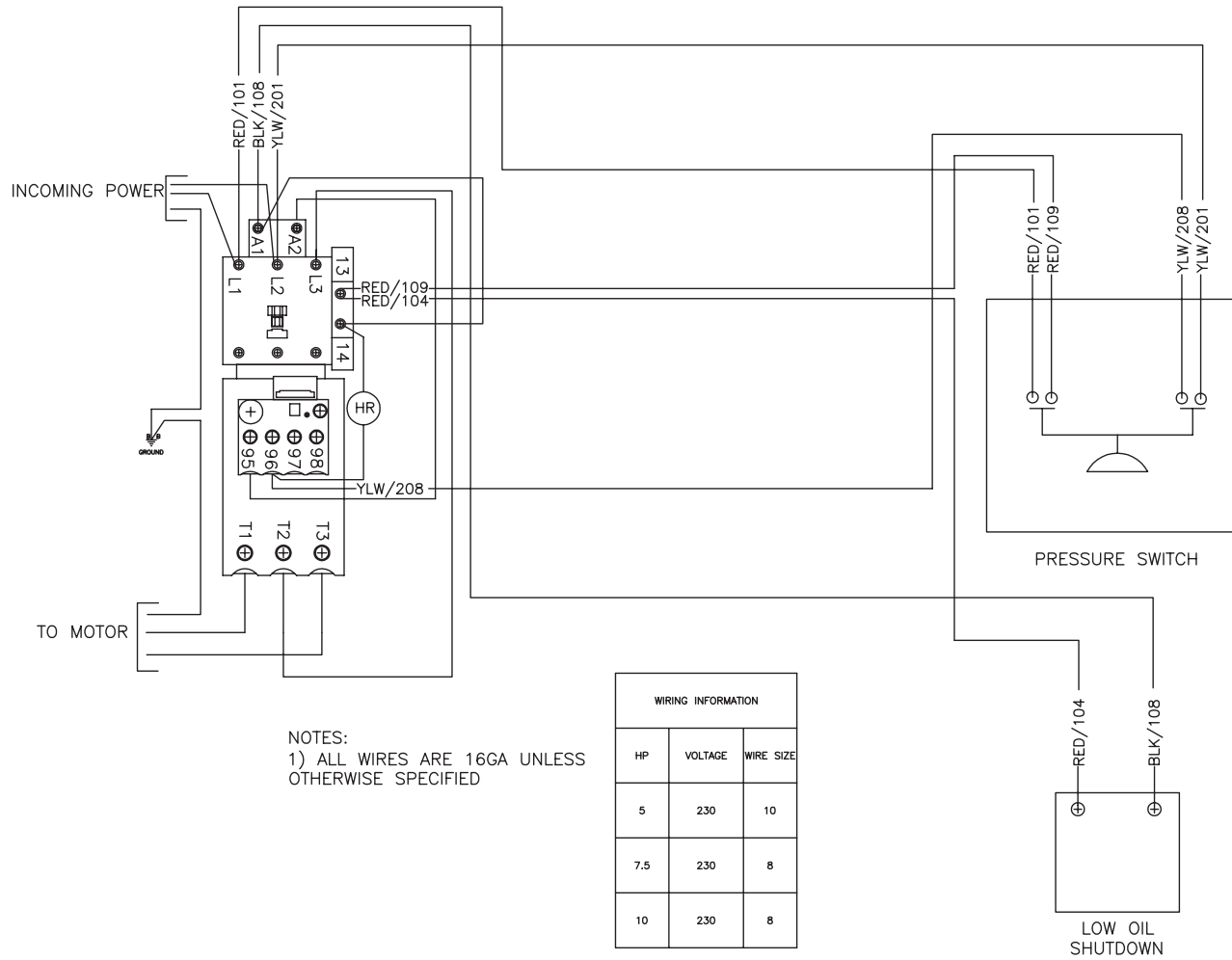
WIRING DIAGRAM DUAL CONTROL AND STARTER 230V SINGLE PHASE 050411

WIRING SCHEMATIC LOW OIL SHUTDOWN AND STARTER (230V SINGLE PHASE)



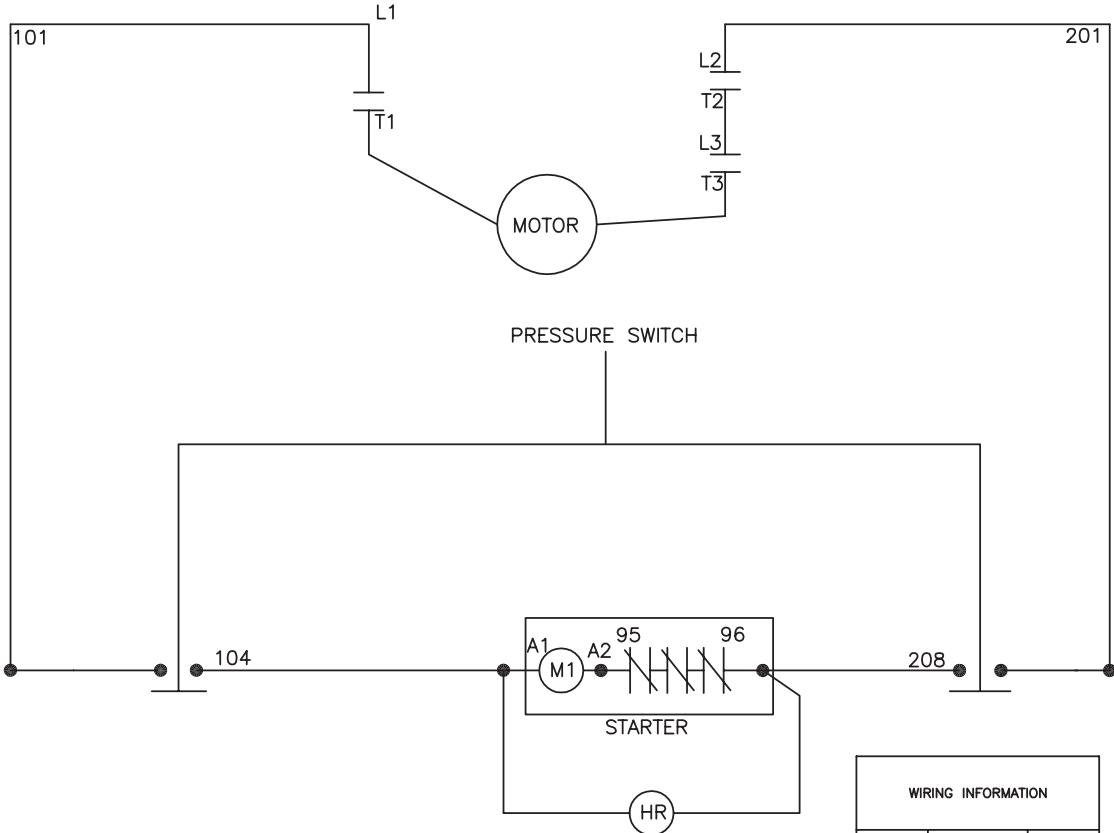
WIRING SCHEMATIC LOW OIL SHUTDOWN AND STARTER 230V SINGLE PHASE 050411

WIRING DIAGRAM LOW OIL SHUTDOWN AND STARTER (230V SINGLE PHASE)



WIRING DIAGRAM LOW OIL SHUTDOWN AND STARTER 230V SINGLE PHASE 050411

WIRING SCHEMATIC STARTER (230V SINGLE PHASE)

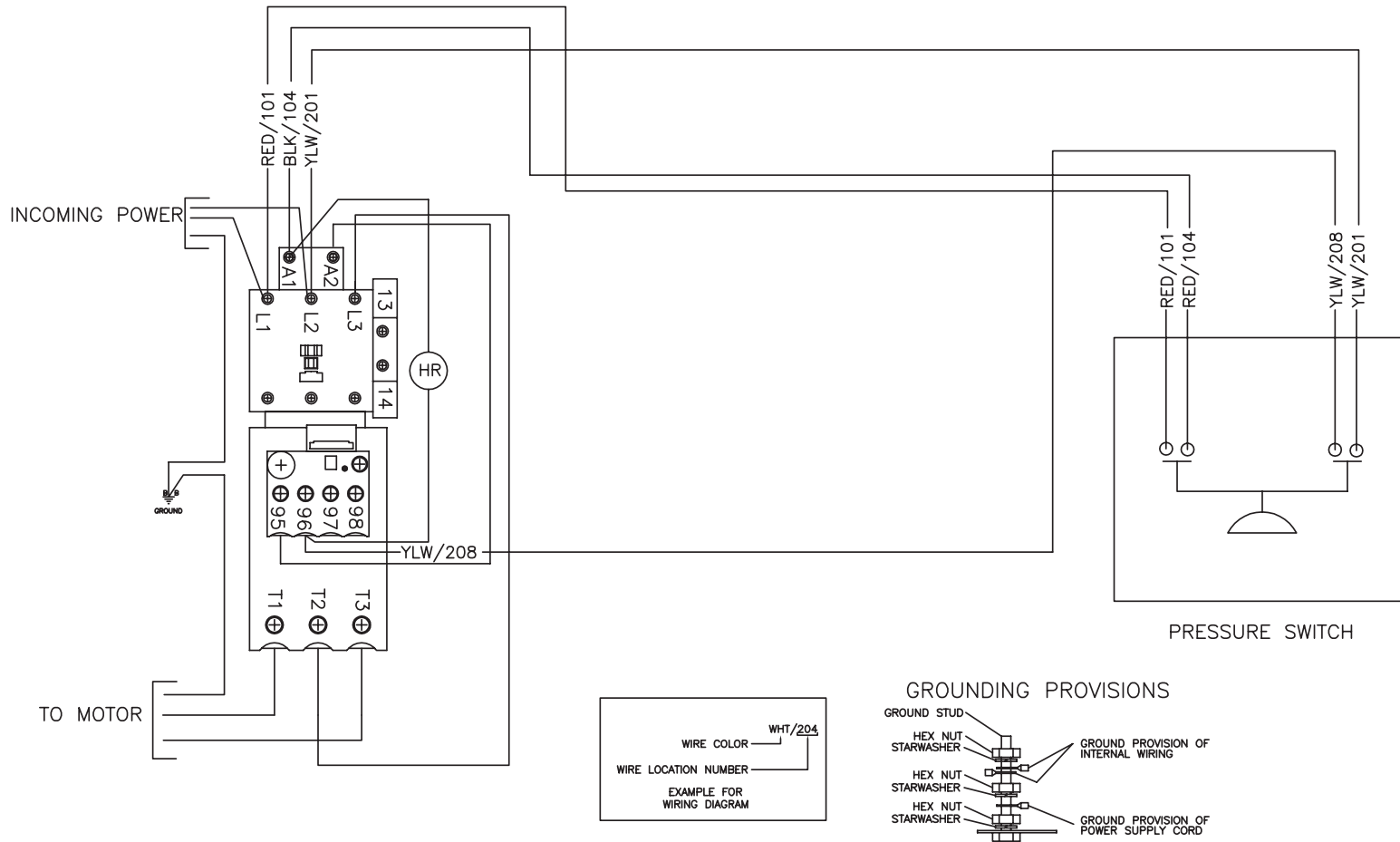


NOTES:
 1) ALL WIRES ARE 16GA UNLESS OTHERWISE SPECIFIED

WIRING INFORMATION		
HP	VOLTAGE	WIRE SIZE
5	230	10
7.5	230	8
10	230	8

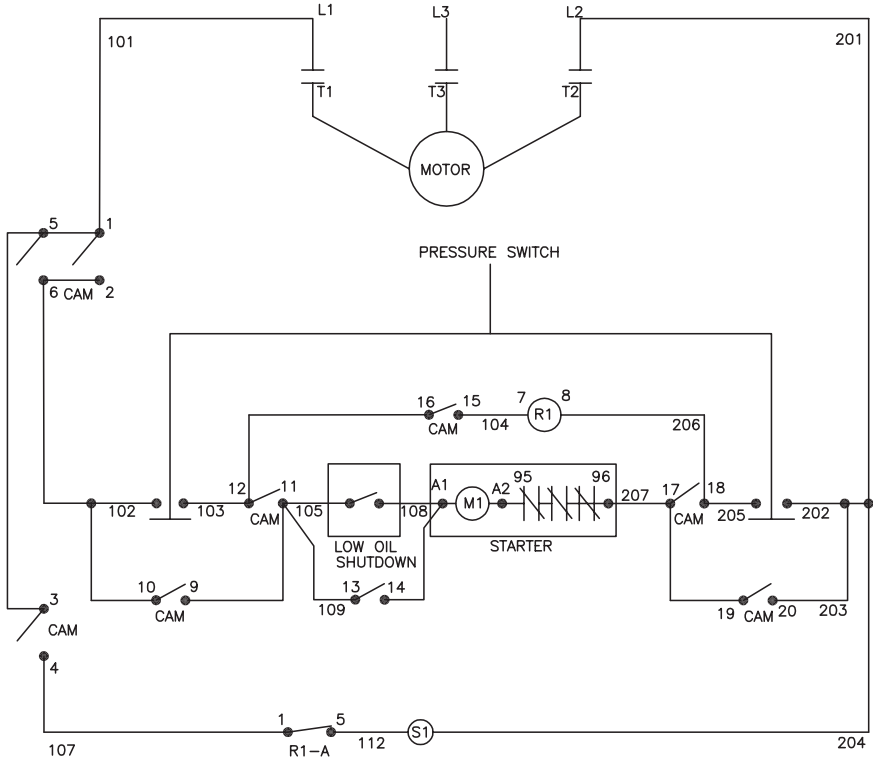
WIRING SCHEMATIC STARTER 230V SINGLE PHASE 050411

WIRING DIAGRAM STARTER (230V SINGLE PHASE)

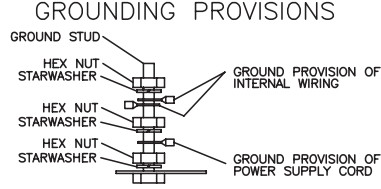
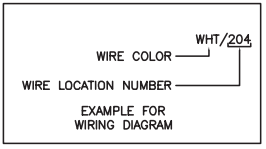


WIRING DIAGRAM STARTER 230V SINGLE PHASE 050411

WIRING SCHEMATIC (200-230V THREE PHASE) M SERIES (AFTER SERIAL #20107354)

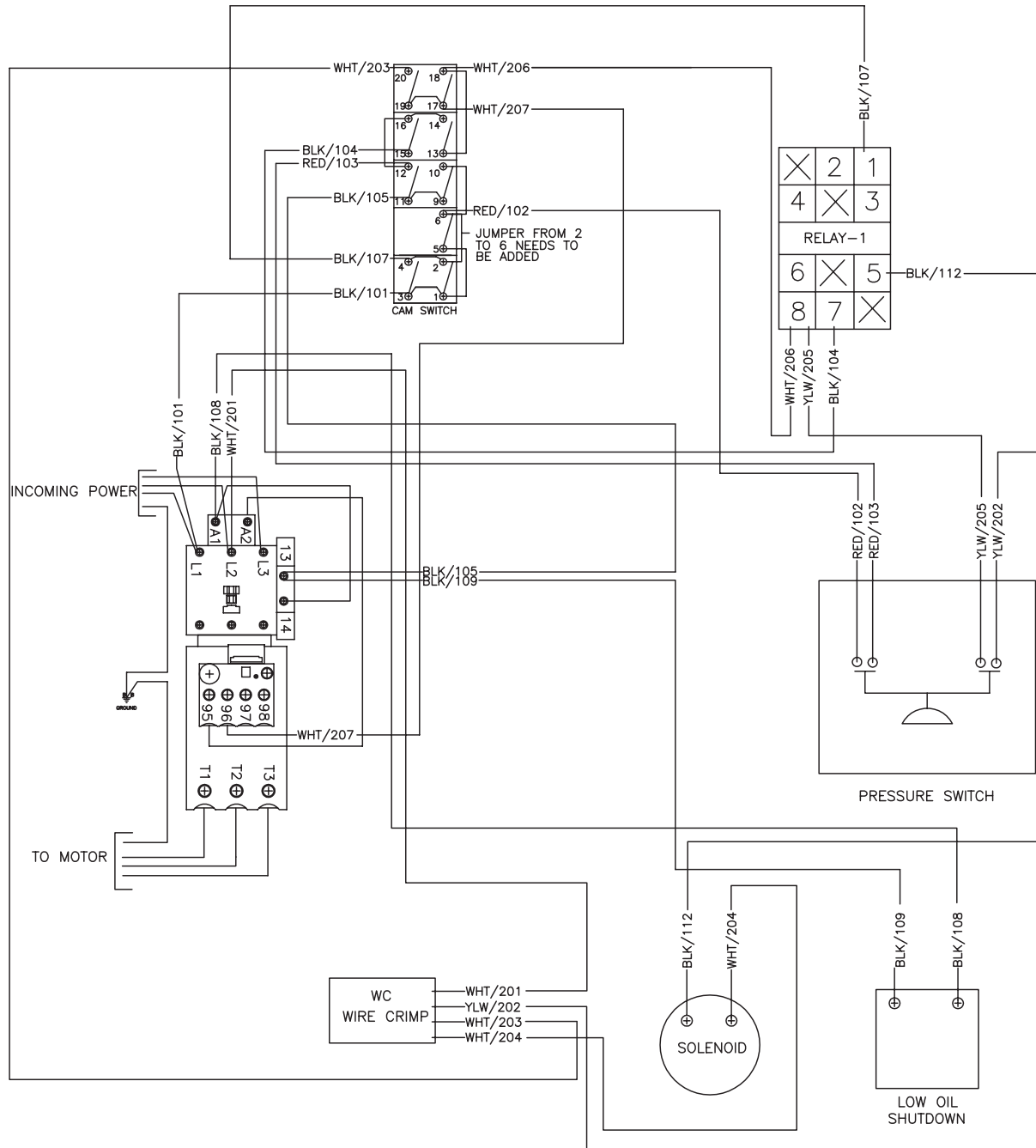


NOTES:
 1) ALL WIRES ARE 16GA UNLESS OTHERWISE SPECIFIED



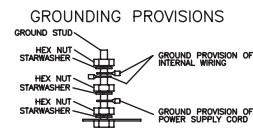
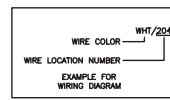
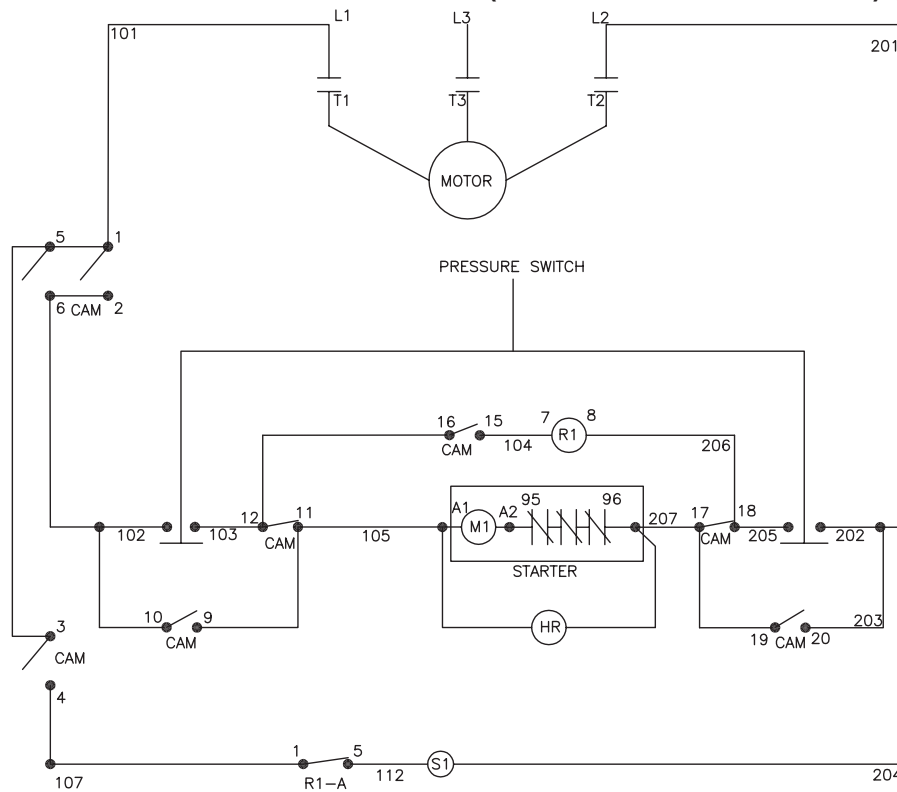
WIRING SCHEMATIC INDUSTRIAL M SERIES 200-230V THREE PHASE 100509

WIRING DIAGRAM (200-230V THREE PHASE) M SERIES (AFTER SERIAL #20107354)



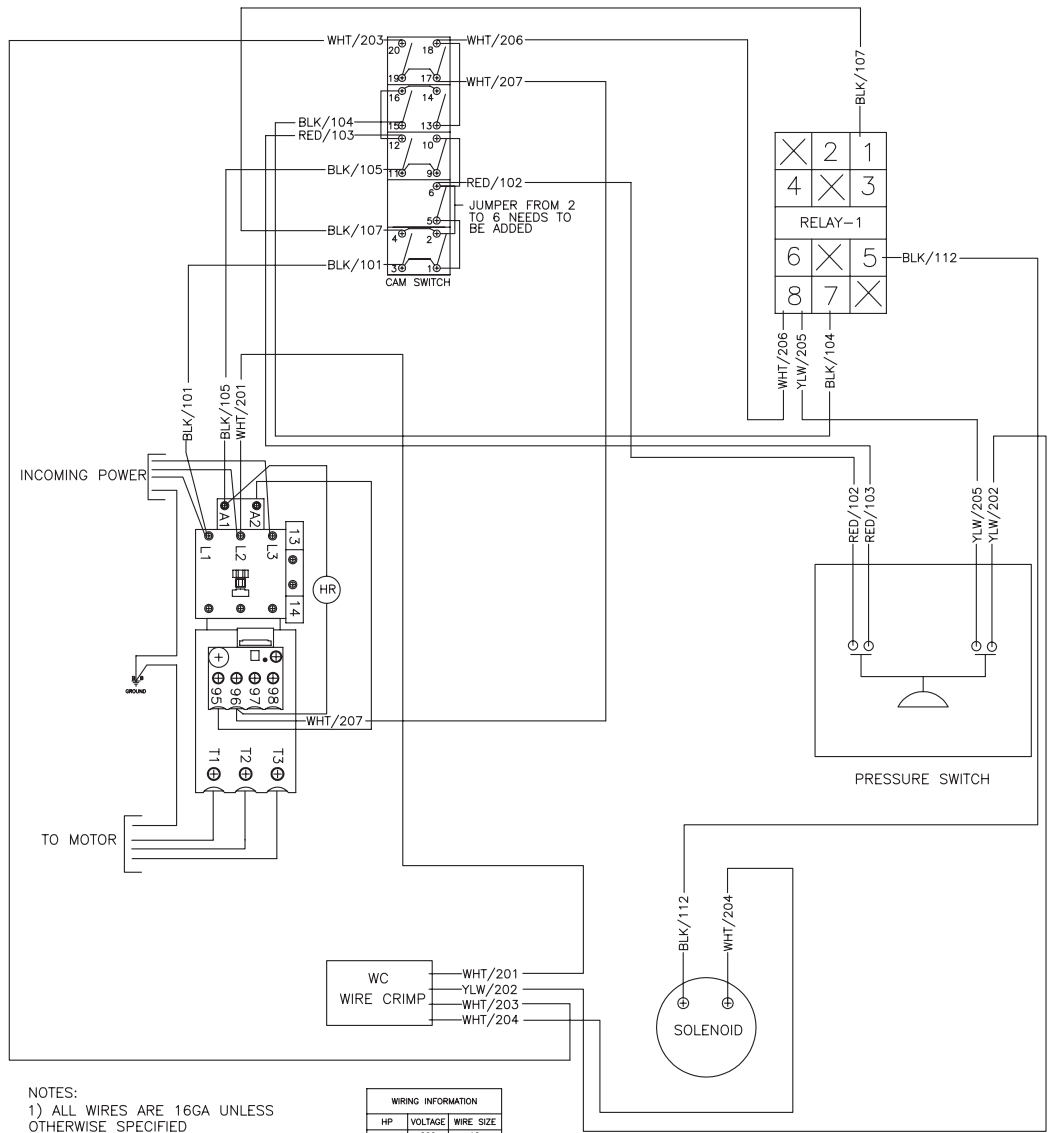
WIRING DIAGRAM INDUSTRIAL M SERIES 200-230V THREE PHASE 100509

WIRING SCHEMATIC DUAL CONTROL AND STARTER (200-230V THREE PHASE) (AFTER SERIAL #20107354)



WIRING SCHEMATIC DUAL CONTROL AND STARTER 200-230V THREE PHASE 050411

WIRING DIAGRAM DUAL CONTROL AND STARTER (200-230V SINGLE PHASE) (AFTER SERIAL #20107354)

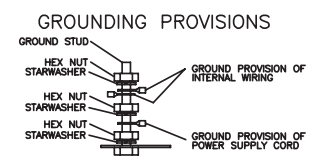
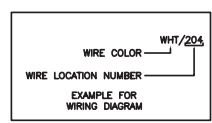
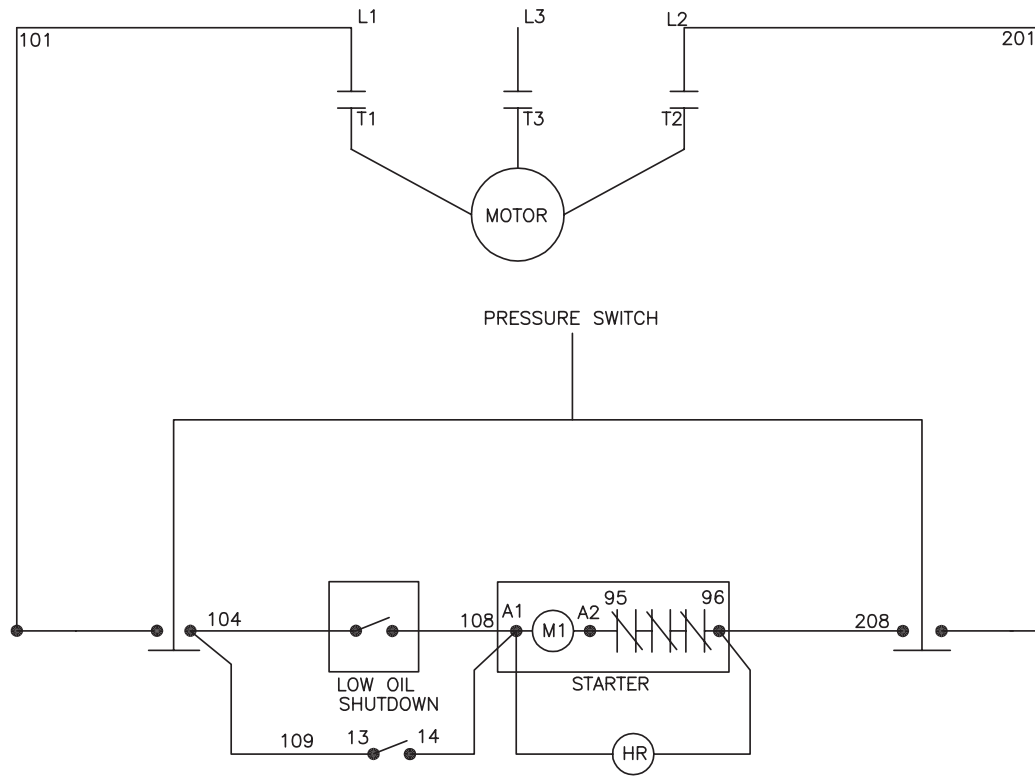


NOTES:
 1) ALL WIRES ARE 16GA UNLESS OTHERWISE SPECIFIED

WIRING INFORMATION		
HP	VOLTAGE	WIRE SIZE
5	200	12
	230	14
7.5	200	10
	230	12
10	200	8
	230	10
15	200	8
	230	8
20	200	6
	230	6
25	200	4
	230	6
30	200	4
	230	4

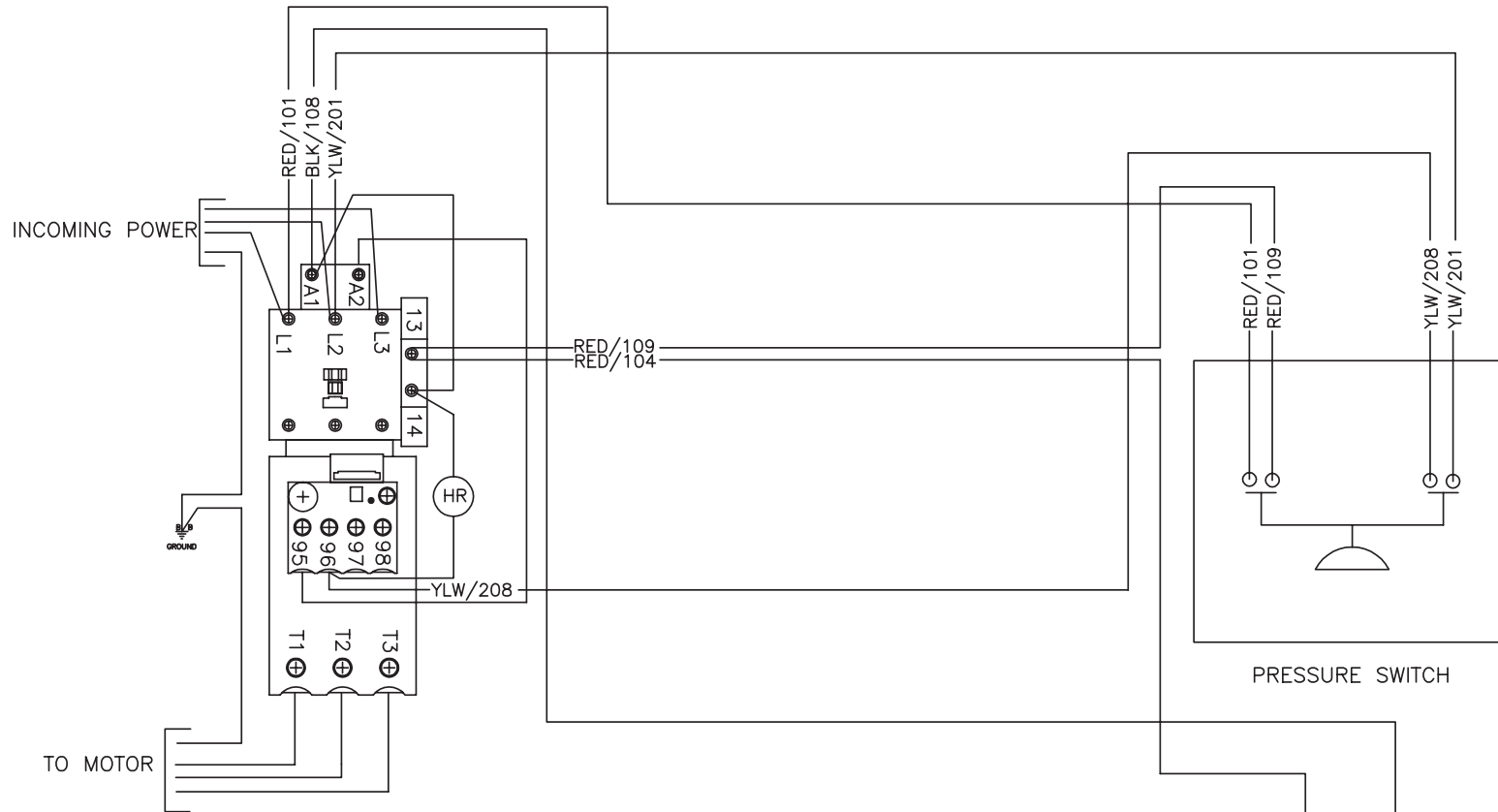
WIRING DIAGRAM DUAL CONTROL AND STARTER 200-230V
 THREE PHASE 050411

WIRING SCHEMATIC LOW OIL SHUTDOWN AND STARTER (200-230V THREE PHASE)



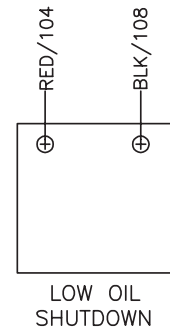
WIRING SCHEMATIC LOW OIL SHUTDOWN AND STARTER 200-230V THREE PHASE 050411

WIRING DIAGRAM LOW OIL SHUTDOWN AND STARTER (200-230V THREE PHASE)



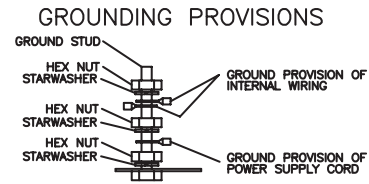
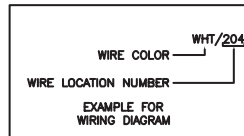
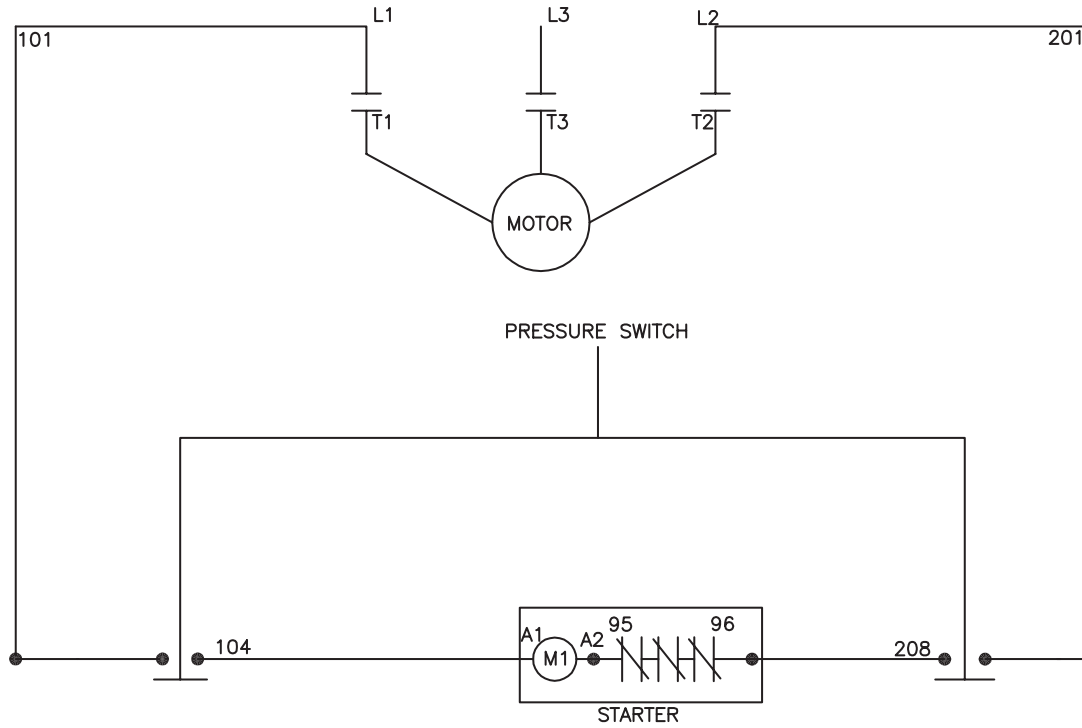
NOTES:
 1) ALL WIRES ARE 16GA UNLESS OTHERWISE SPECIFIED

WIRING INFORMATION		
HP	VOLTAGE	WIRE SIZE
5	200	12
	230	14
7.5	200	10
	230	12
10	200	8
	230	10
15	200	8
	230	8
20	200	6
	230	6
25	200	4
	230	6
30	200	4
	230	4



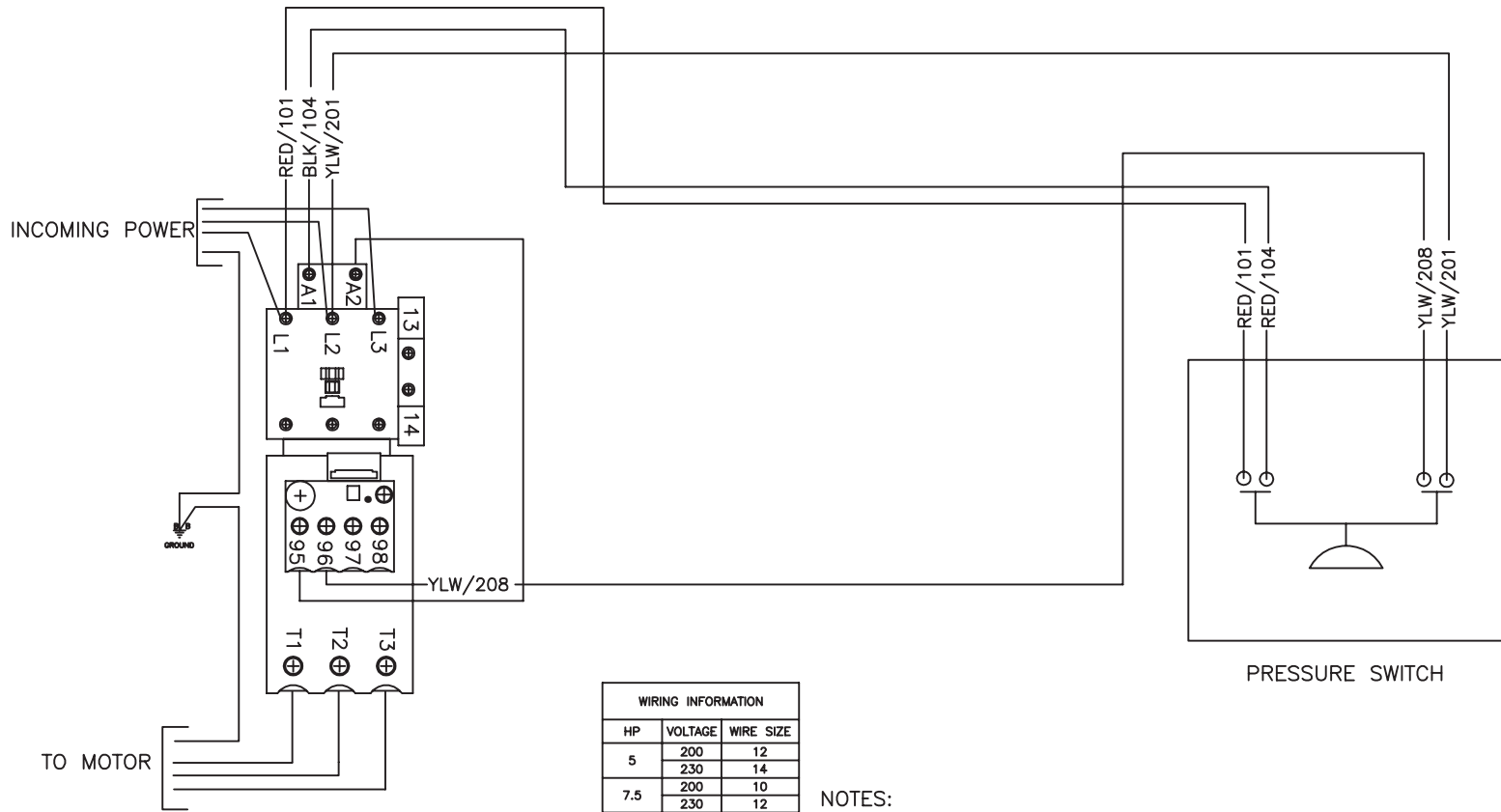
WIRING DIAGRAM LOW OIL SHUTDOWN AND STARTER 200-230V THREE PHASE 050411

WIRING SCHEMATIC STARTER (200-230V THREE PHASE)



WIRING SCHEMATIC STARTER 200-230V THREE PHASE 050411

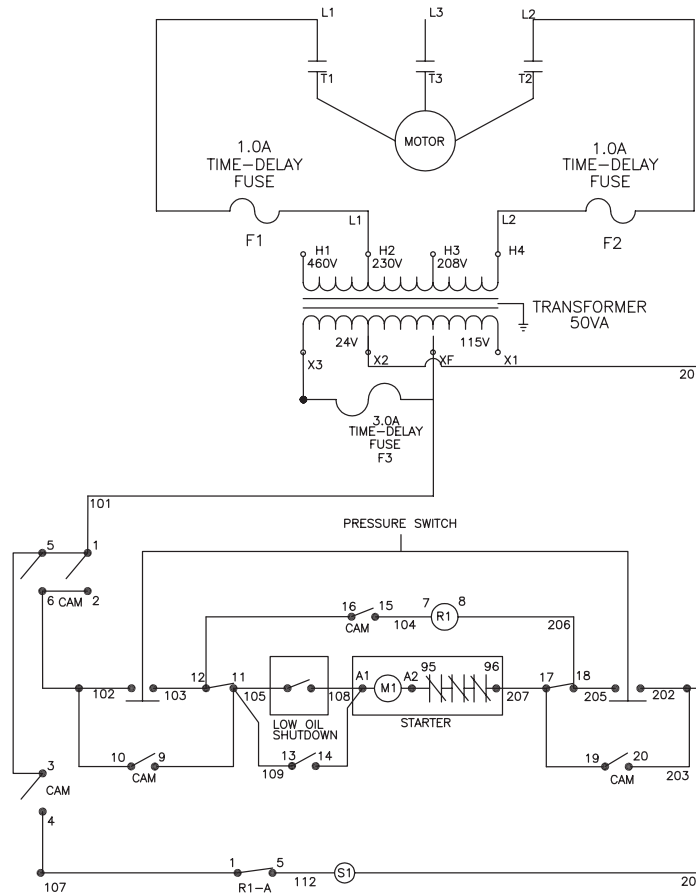
WIRING DIAGRAM STARTER (200-230V THREE PHASE)



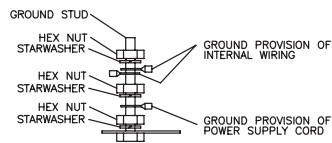
WIRING INFORMATION		
HP	VOLTAGE	WIRE SIZE
5	200	12
	230	14
7.5	200	10
	230	12
10	200	8
	230	10
15	200	8
	230	8
20	200	6
	230	6
25	200	4
	230	6
30	200	4
	230	4

NOTES:
1) ALL WIRES ARE 16GA UNLESS OTHERWISE SPECIFIED

WIRING SCHEMATIC (460V THREE PHASE) M SERIES (AFTER SERIAL #20107354)

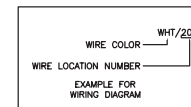


GROUNDING PROVISIONS



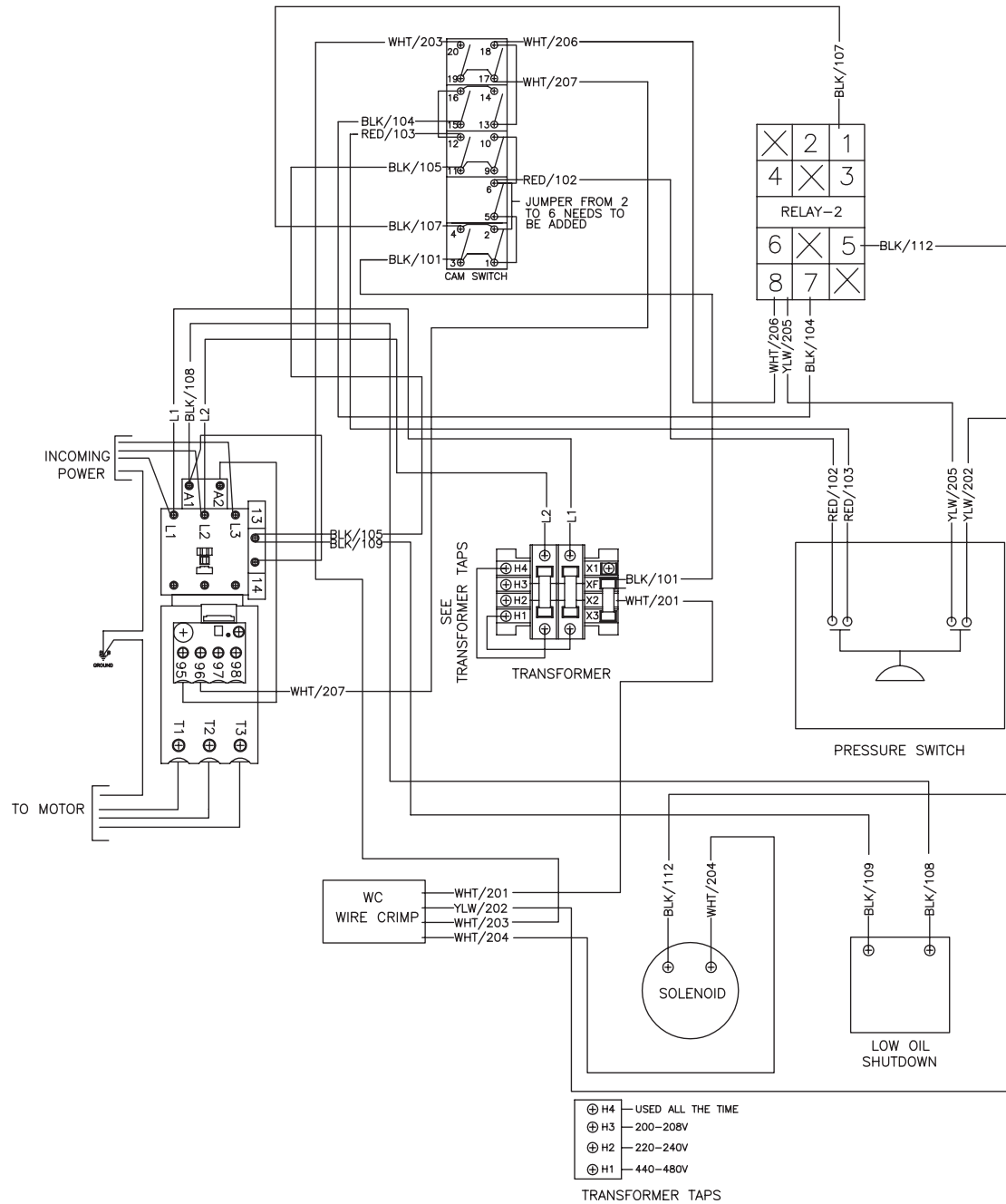
NOTES

- 1) ALL WIRES ARE 16GA UNLESS OTHERWISE SPECIFIED



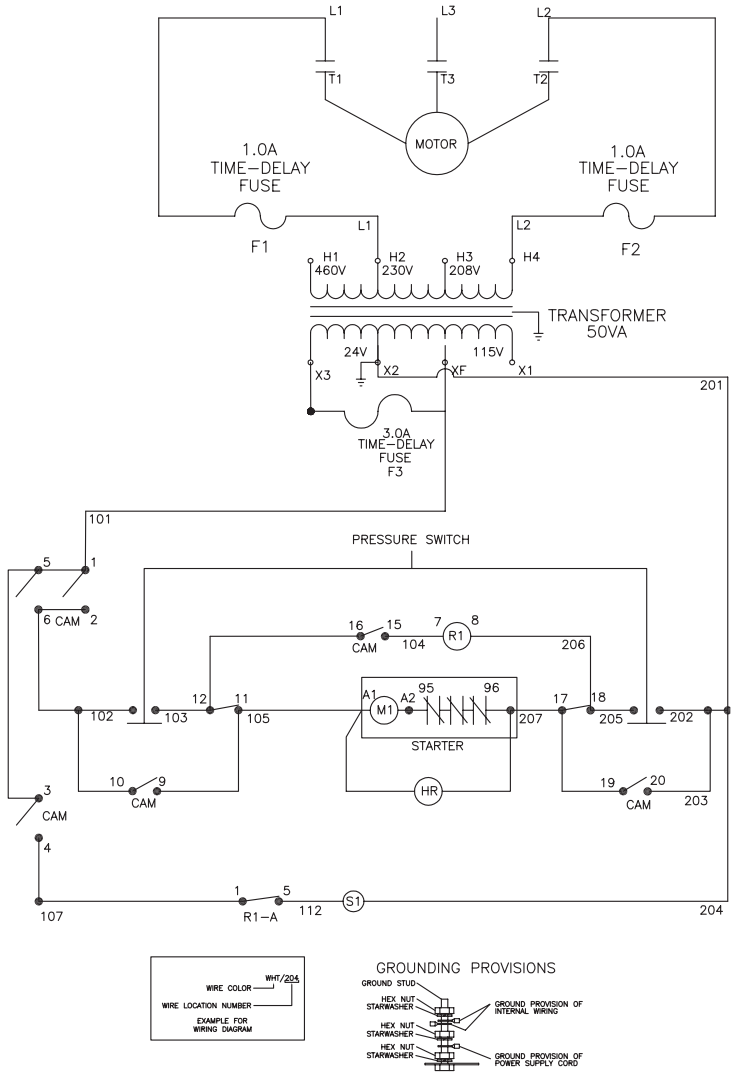
WIRING SCHEMATIC INDUSTRIAL M SERIES 460V
THREE PHASE 100509

WIRING DIAGRAM (460V THREE PHASE) M SERIES (AFTER SERIAL #20107354)



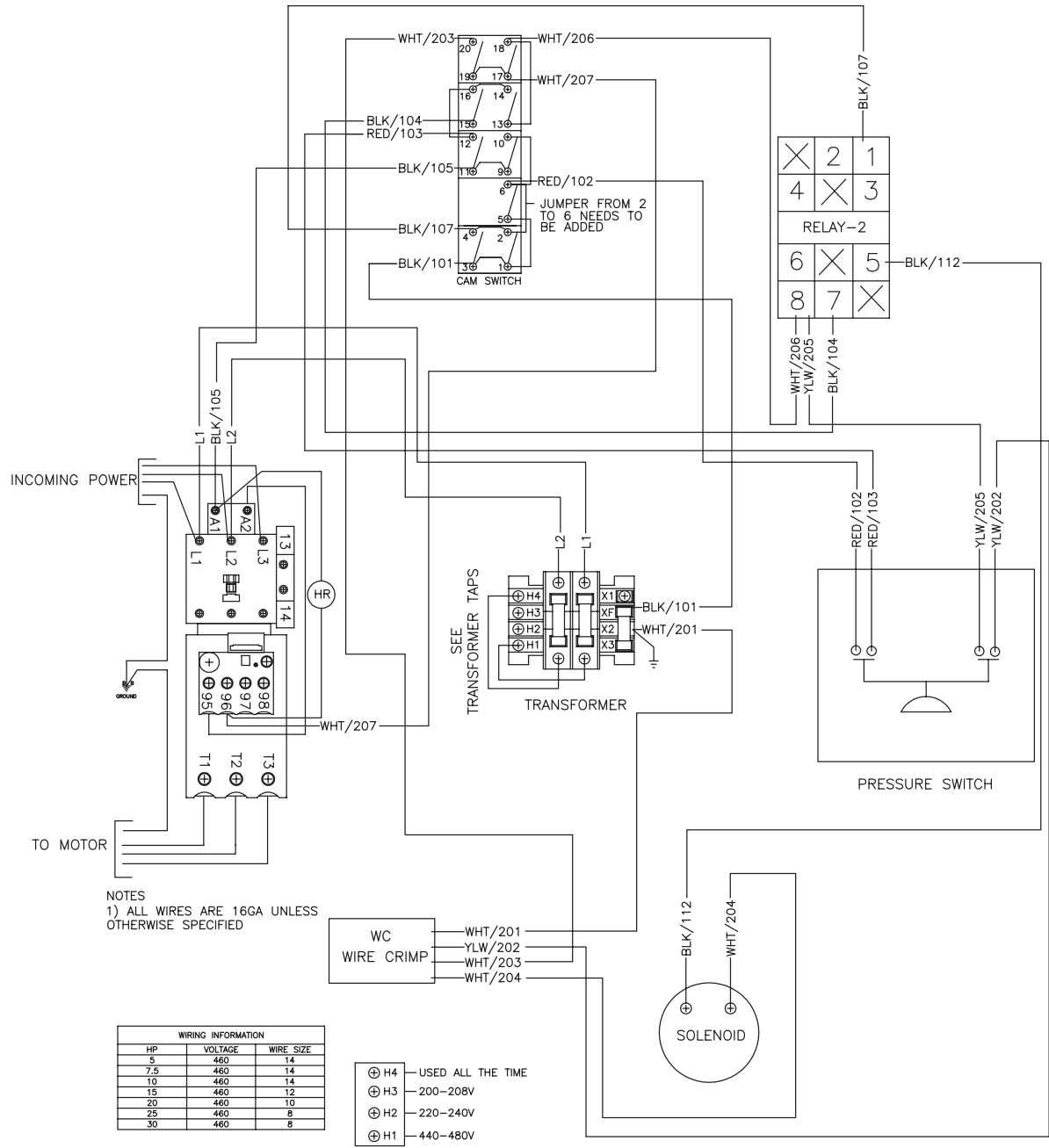
WIRING DIAGRAM INDUSTRIAL M SERIES 460V THREE PHASE 100509

WIRING SCHEMATIC DUAL CONTROL AND STARTER (460V THREE PHASE) (AFTER SERIAL #20107354)



WIRING SCHEMATIC DUAL CONTROL AND STARTER OPTION 460V THREE PHASE 050411

WIRING DIAGRAM DUAL CONTROL AND STARTER (460V THREE PHASE) (AFTER SERIAL #20107354)



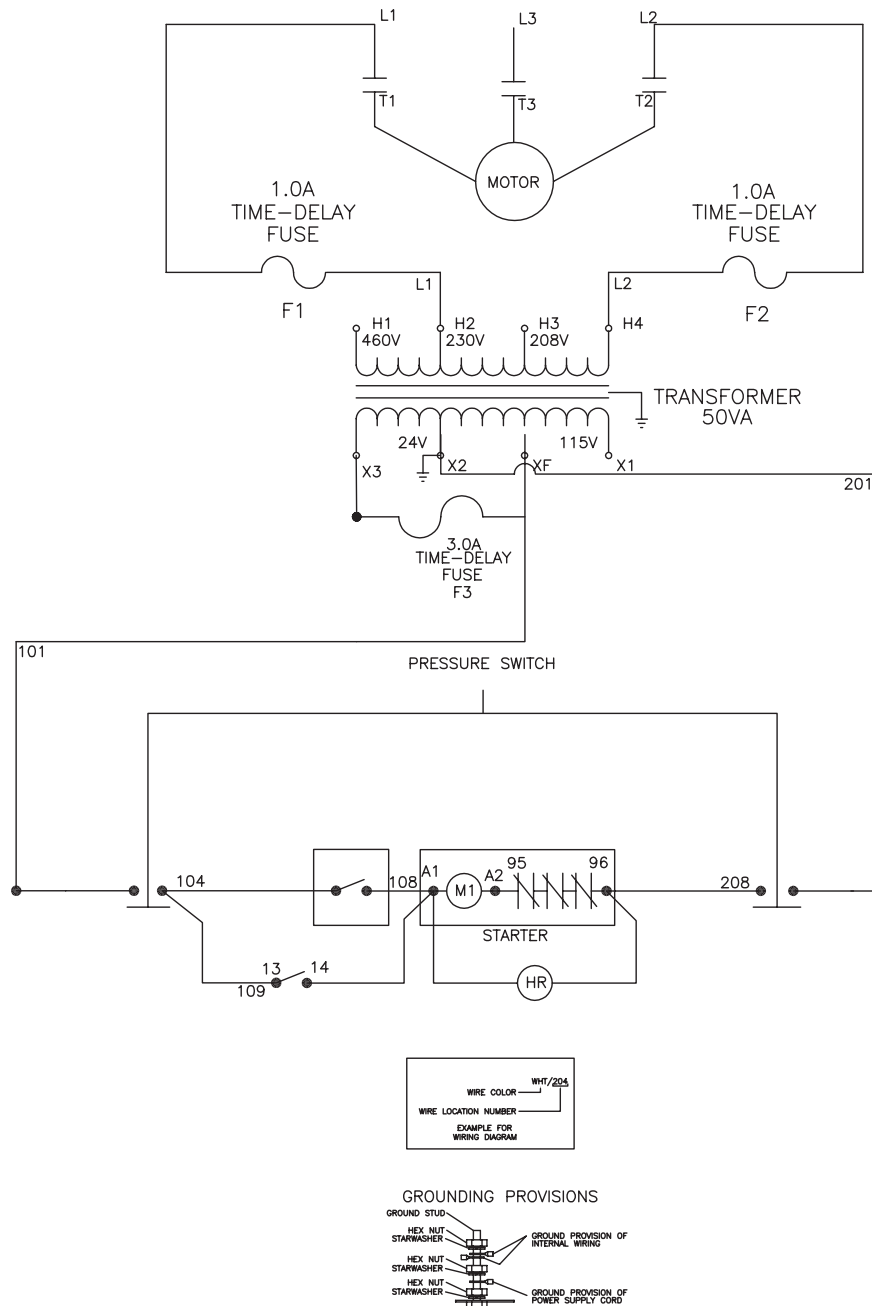
WIRING INFORMATION		
HP	VOLTAGE	WIRE SIZE
5	460	14
7.5	460	14
10	460	14
15	460	12
20	460	10
25	460	8
30	460	8

- ⊕ H4 — USED ALL THE TIME
- ⊕ H3 — 200-208V
- ⊕ H2 — 220-240V
- ⊕ H1 — 440-480V

TRANSFORMER TAPS

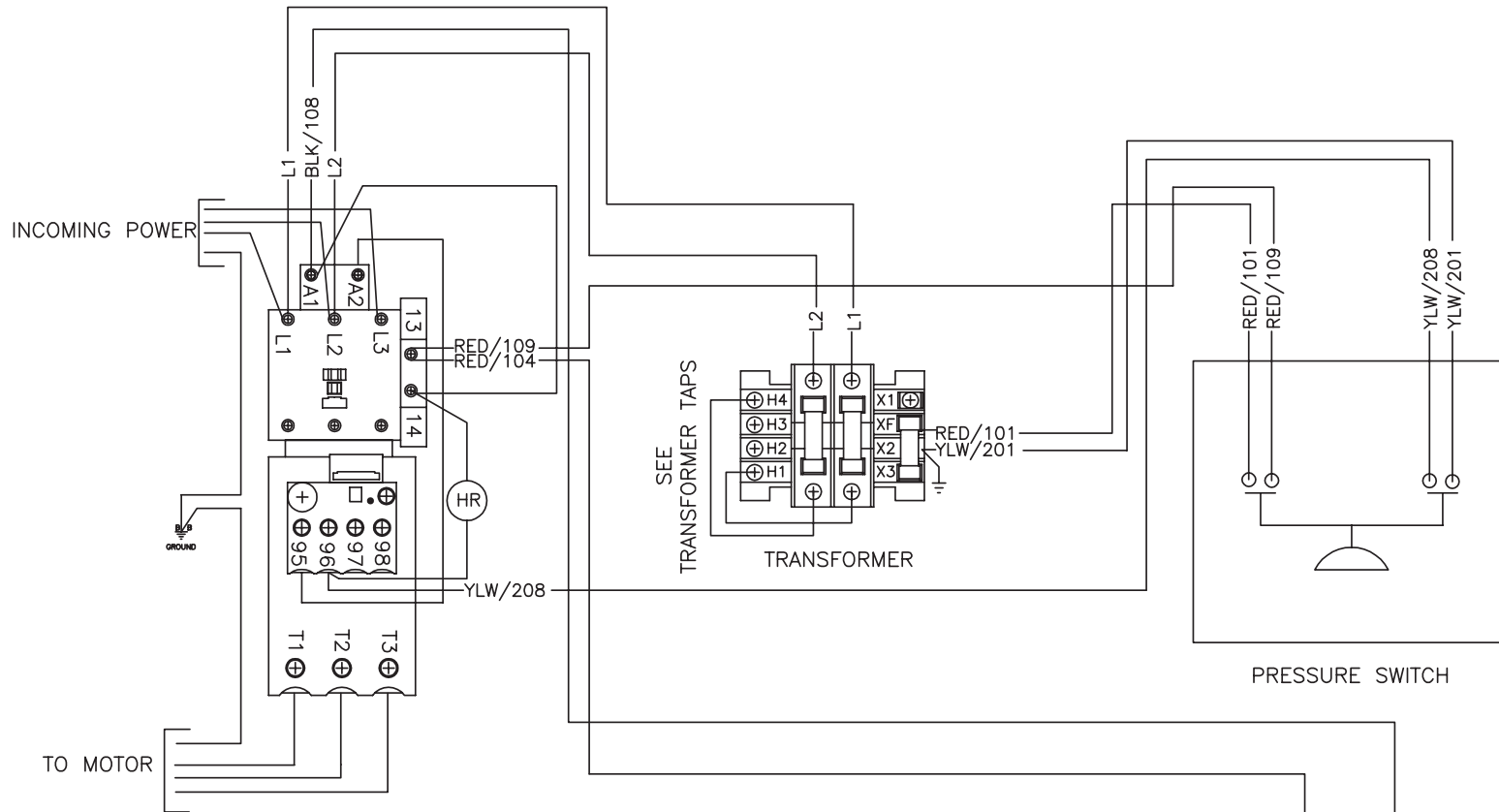
WIRING DIAGRAM DUAL CONTROL AND STARTER 460V THREE PHASE 050411

WIRING SCHEMATIC LOW OIL SHUTDOWN AND STARTER (460V THREE PHASE)



WIRING SCHEMATIC LOW OIL SHUTDOWN AND STARTER 460V THREE PHASE 050411

WIRING DIAGRAM LOW OIL SHUTDOWN AND STARTER (460V THREE PHASE)

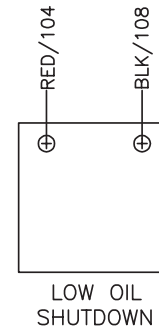


NOTES
 1) ALL WIRES ARE 16GA UNLESS OTHERWISE SPECIFIED

- ⊕ H4 — USED ALL THE TIME
- ⊕ H3 — 200–208V
- ⊕ H2 — 220–240V
- ⊕ H1 — 440–480V

TRANSFORMER TAPS

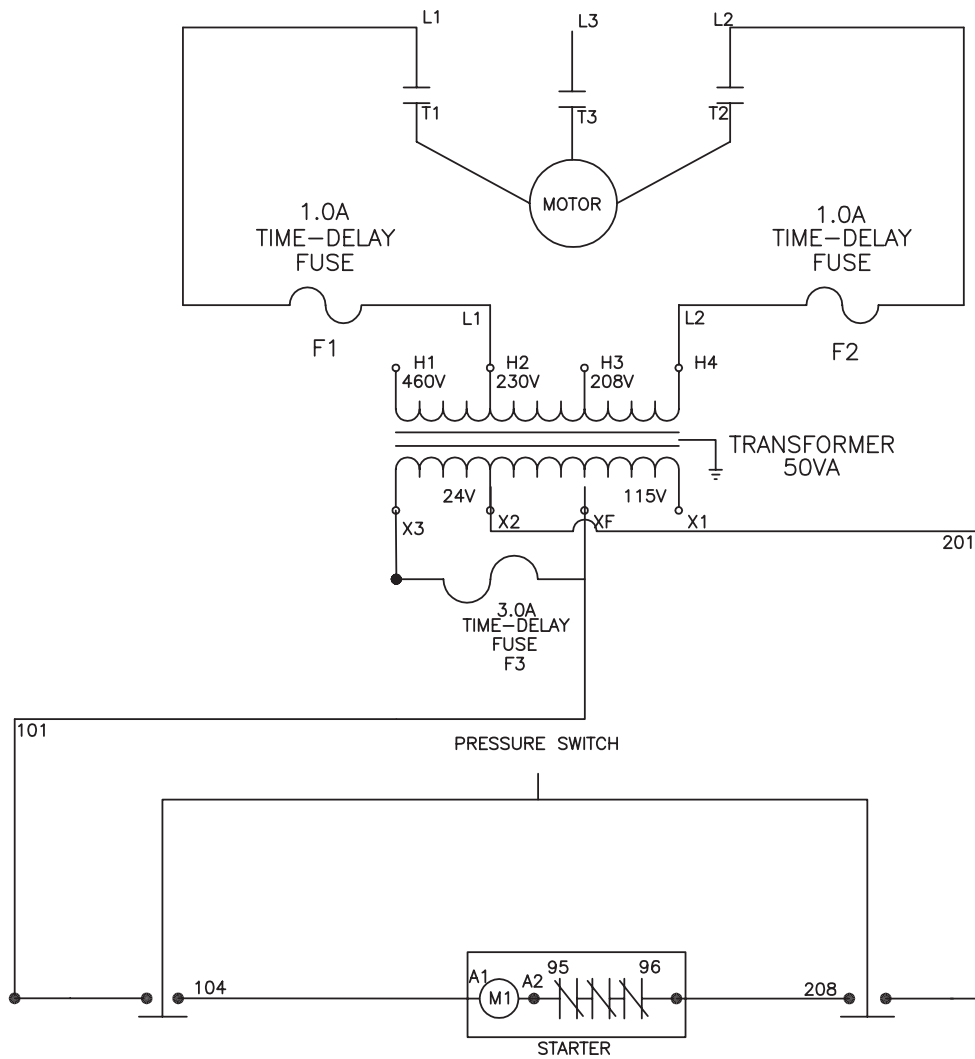
WIRING INFORMATION		
HP	VOLTAGE	WIRE SIZE
5	460	14
7.5	460	14
10	460	14
15	460	12
20	460	10
25	460	8
30	460	8



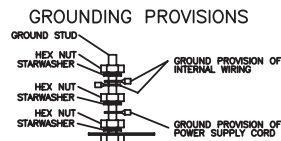
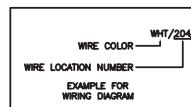
LOW OIL SHUTDOWN

WIRING DIAGRAM LOW OIL SHUTDOWN AND STARTER 460V THREE PHASE 050411

WIRING SCHEMATIC STARTER (460V THREE PHASE)

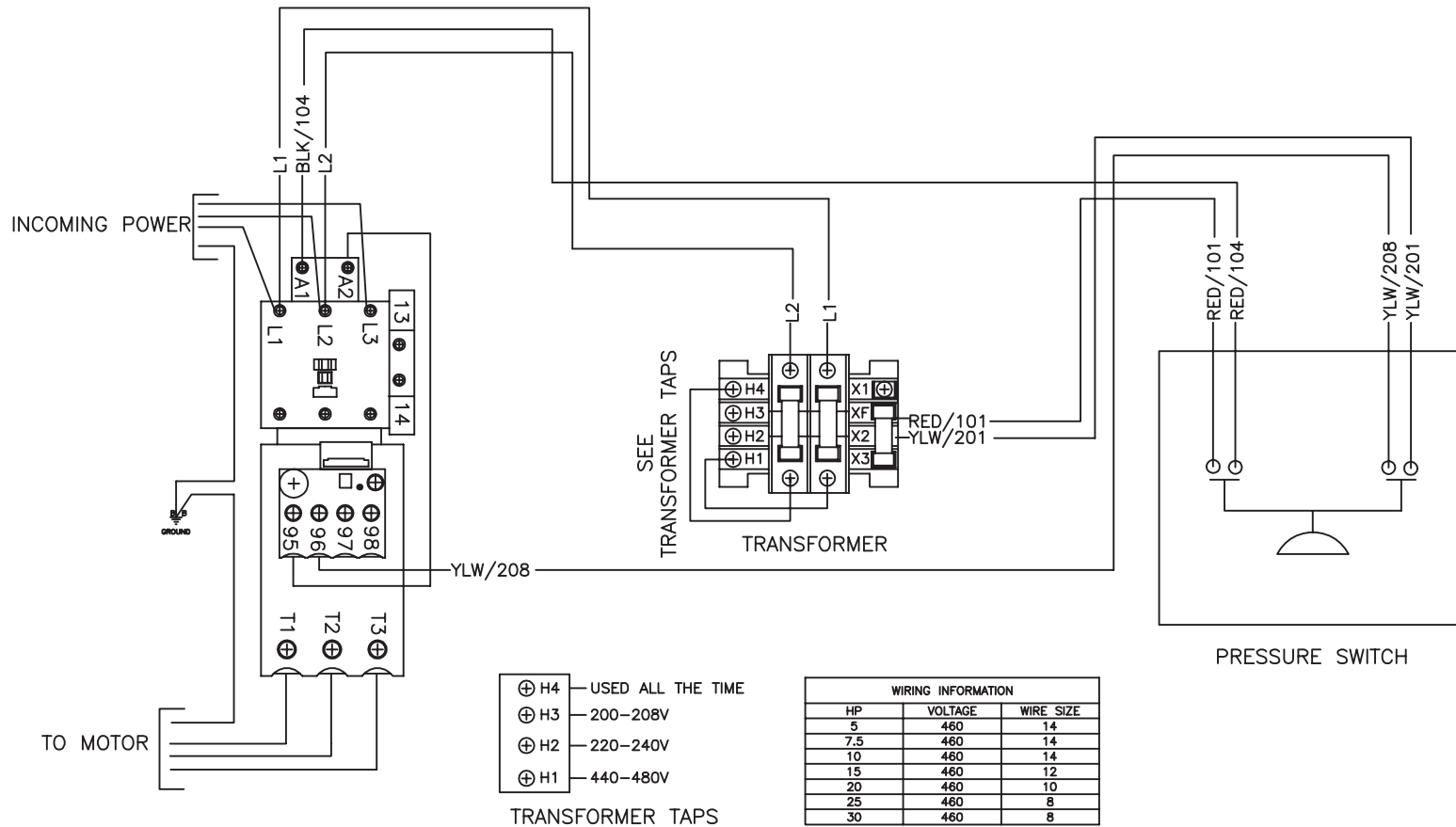


NOTES
 1) ALL WIRES ARE 16GA UNLESS OTHERWISE SPECIFIED



WIRING SCHEMATIC STARTER 460V THREE PHASE 050411

WIRING DIAGRAM STARTER (460V THREE PHASE)



WIRING DIAGRAM STARTER 460V THREE PHASE 050411

Manufactured by Mi-T-M
8650 Enterprise Drive, Peosta IA 52068
563-556-7484/ Fax 563-556-1235