



PARTS LIST FOR
MH-0400-0M10

This Parts Listing has been compiled for your benefit. You can be assured your Mi-T-M Space Heater was constructed and designed with quality and performance in mind. Each component has been rigorously tested to insure the highest level of acceptance.

The contents of this Parts Listing are based on the latest product information available at the time of publication. Mi-T-M reserves the right to make changes in price, color, materials, equipment, specifications or models at any time without notice.

WARNING

THIS IS A PROFESSIONAL SPACE HEATER. CAUTION SHOULD BE OBSERVED WHEN USING OR REPAIRING THIS UNIT! READ AND FOLLOW THE SAFETY WARNINGS LISTED BELOW BEFORE ATTEMPTING ANY REPAIRS ON THIS SPACE HEATER!

SAFETY WARNINGS

1. NEVER alter or modify the equipment. Use only genuine Mi-T-M parts for repair of your space heater. Failure to do so can cause hazardous operating conditions and will VOID warranty.
2. Be thoroughly familiar with controls.
3. Before servicing the unit, turn unit off, and allow the unit to cool down. Do not make repairs while the unit is running. Service in a clean, dry, flat area. Block the wheels to prevent the unit from moving. Be especially careful to properly dispose of any flammable materials.

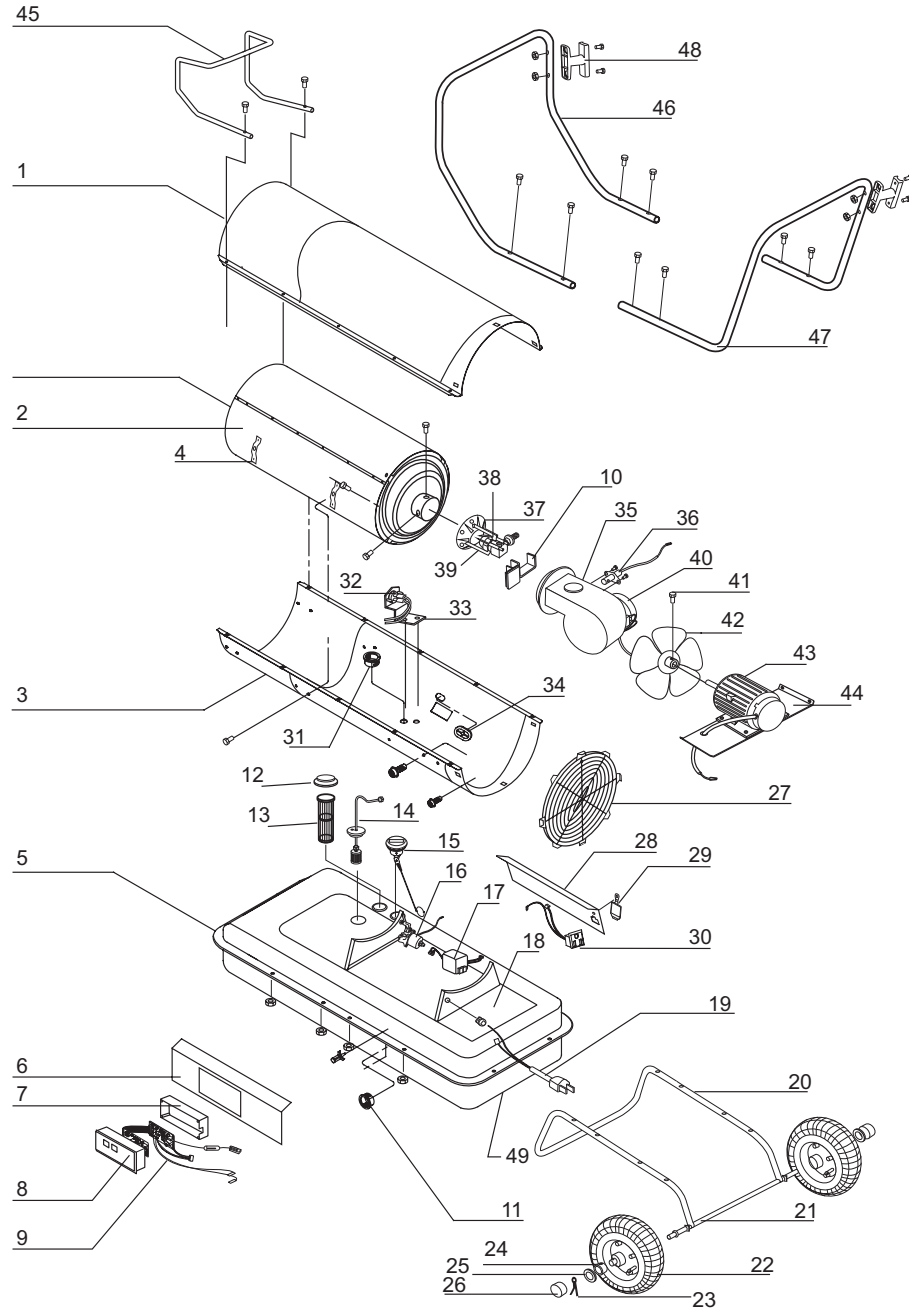
Table of Contents

SPECIFICATIONS.....3
FRAME ASSEMBLY4

SPECIFICATIONS

Model	MH-0400-0M10
Rating BTU/Hr	400,000
Fuel Consumption Gal/Hr	3.0
Fuel Tank Capacity Gallons	24.0
Pump Pressure PSI	125
Volt/Hz	120V/ 60 Hz
Amps	3.0
Phase	Single
Size (L x W x H)	53" x 30" x 36"
Net Weight (Lbs)	150

FRAME ASSEMBLY



MH-0400-0M10

MH-0400-0M10			
FRAME ASSEMBLY			
ITEM NO.	ITEM DESCRIPTION	PART NO.	QTY.
1	UPPER SHELL	68-3096	1
2	CHAMBER ASSEMBLY	68-3097	1
3	LOWER SHELL	68-3098	1
4	BAFFLE BRACKET REAR	N/A	4
5	FUEL TANK ASSEMBLY	68-3100	1
6	RIGHT SIDE COVER	68-3101	1
7	PCB CASE LOWER	68-3102	1
8	PCB CASE UPPER	68-3103	1
9	P.C.B. ASSEMBLY	68-3104	1
10	AIR BAFFLE PLATE	68-3105	1
11	BUSHING GROMMET (S)	N/A	5
12	FUEL CAP ASSEMBLY	68-3107	1
13	FUEL FILLING FILTER	68-3108	1
14	FUEL LINE ASSEMBLY (A)	68-3109	1
15	FUEL GAUGE ASSEMBLY	68-3245	1
16	MAGNETIC PUMP ASSEMBLY	68-3110	1
17	IGNITOR	68-3111	1
18	CORD BUSHING	68-3073	1
19	POWER CORD ASSEMBLY	68-3112	1
20	WHEEL SUPPORT FRAME	68-3113	1
21	WHEEL AXLE	68-3217	1
22	PNEUMATIC WHEEL	68-3198	2
23	SPLIT PIN	N/A	2
24	WHEEL BUSHING	N/A	2
25	FLAT WASHER (A)	N/A	2
26	WHEEL CAP	N/A	2
27	FAN GUARD	68-3120	1
28	LEFT SIDE COVER	68-3121	1
29	SOCKET COVER	N/A	1
30	ELECTRICAL OUTLET ASSEMBLY	N/A	1
31	BUSHING GROMMET (L)	N/A	1
32	THERMOSTAT	68-3125	1
33	THERMOSTAT BRACKET	68-3126	1
34	RUBBER BUSHING	N/A	1
35	BURNER BLOWER FAN ASSEMBLY	68-3336	1
36	PHOTOCELL ASSEMBLY	68-3129	1
37	AIR CONTROL HEAD ASSEMBLY	68-3130	1
38	SPARK PLUG	68-3131	1
39	NOZZLE	68-3132	1
40	BURNER MOTOR ASSEMBLY	68-3133	1
41	FAN FIXING SCREW M8X8	N/A	1
42	FAN ASSEMBLY	68-3134	1
43	AIR MOTOR ASSEMBLY	68-3135	1
44	MOTOR SUPPORTER	N/A	1
45	SAFETY GUARD	68-3137	1
46	FRONT HANDLE	68-3138	1
47	REAR HANDLE	68-3139	1
48	CORD WRAP	68-3076	2
49	DRAIN BOLT	68-3140	1
	HARDWARE KIT	68-3216	1

Manufactured by Mi-T-M
50 Mi-T-M Drive, Peosta IA 52068
563-556-7484/ Fax 563-556-1235